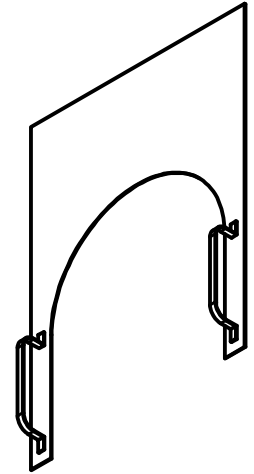
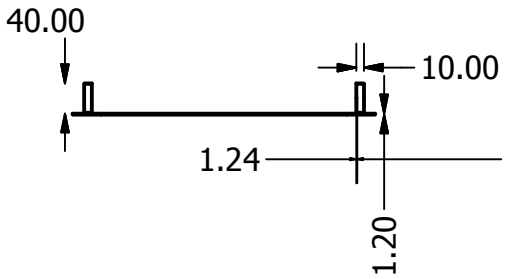
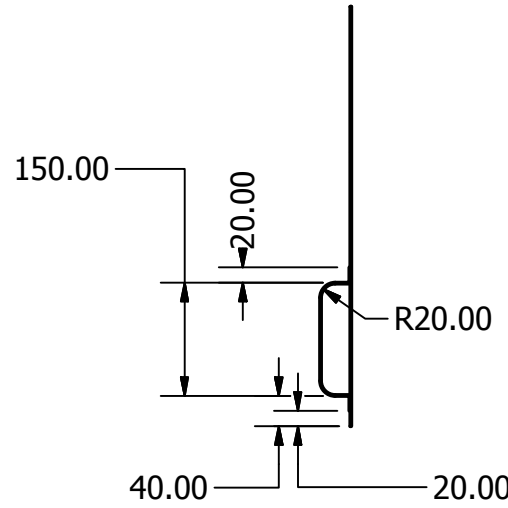
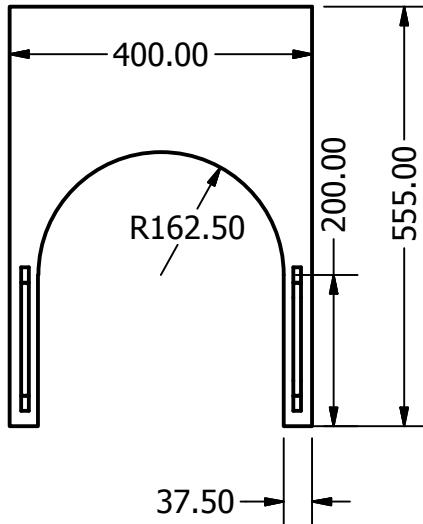
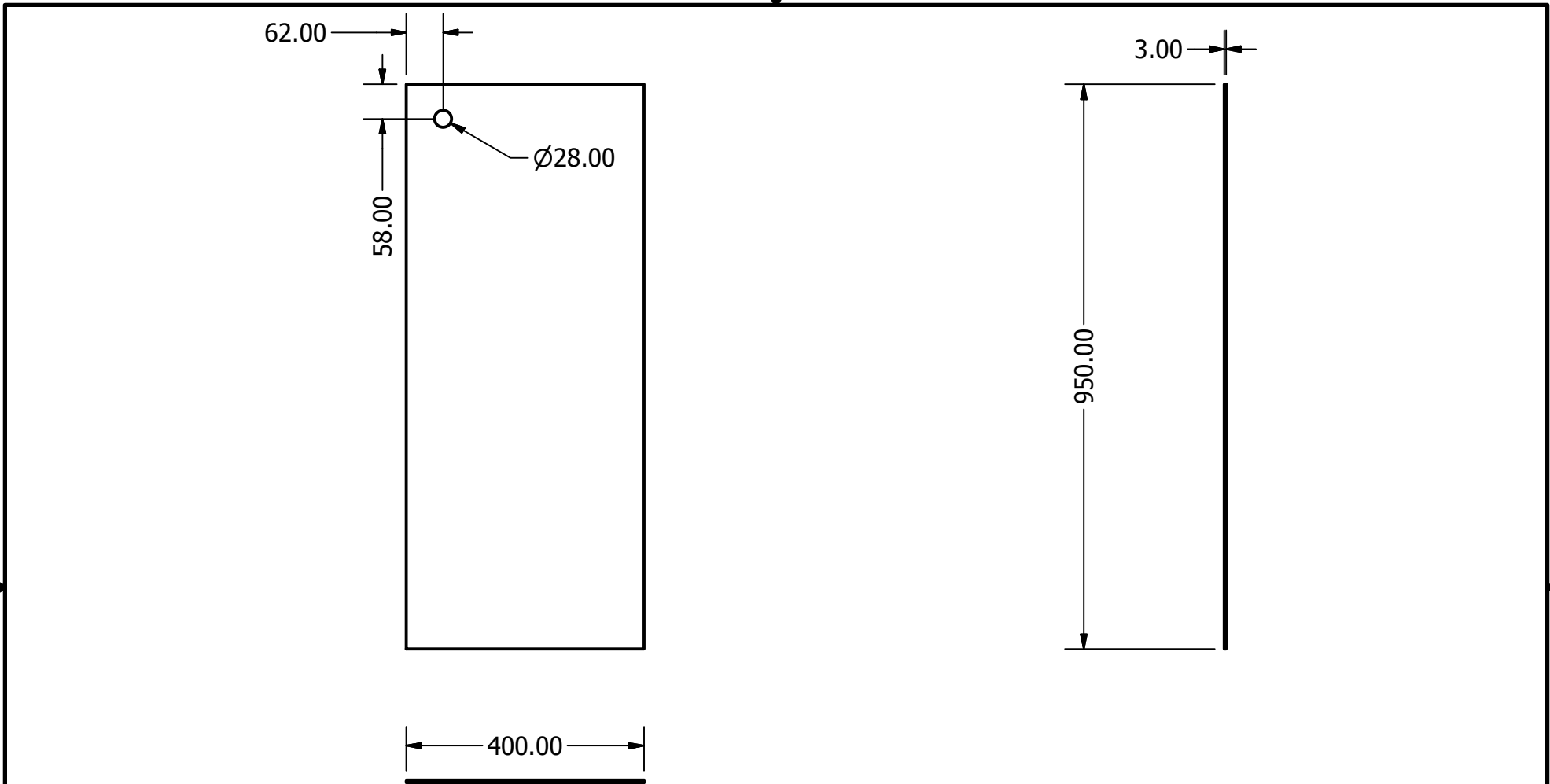


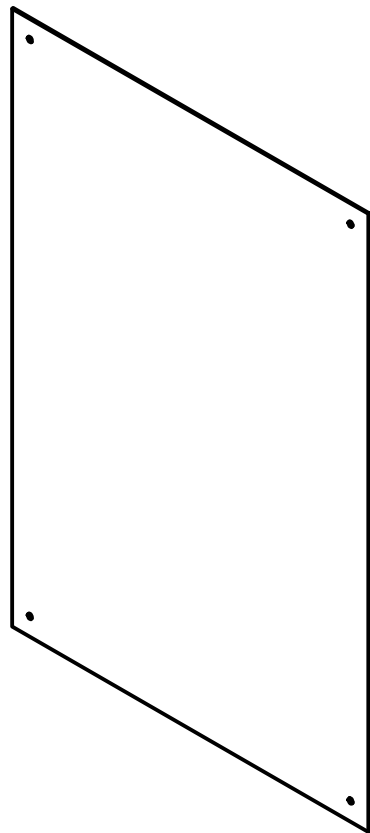
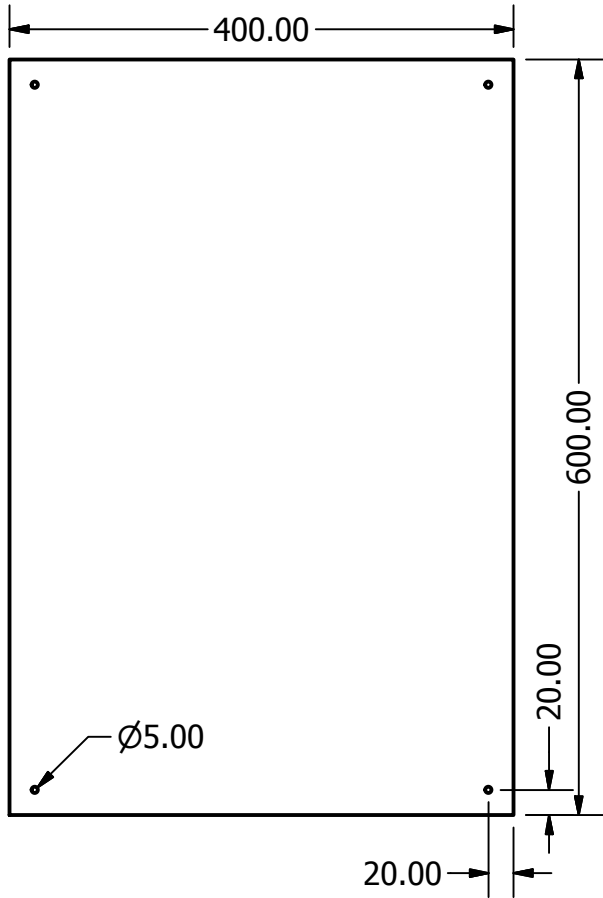
DRAWN	User	07/05/2014		
CHECKED				
QA			TITLE	
MFG				
APPROVED				
			SIZE	DWG NO
			Custom Size (mm)	tapa entrada
			SCALE	REV
				SHEET 1 of 1



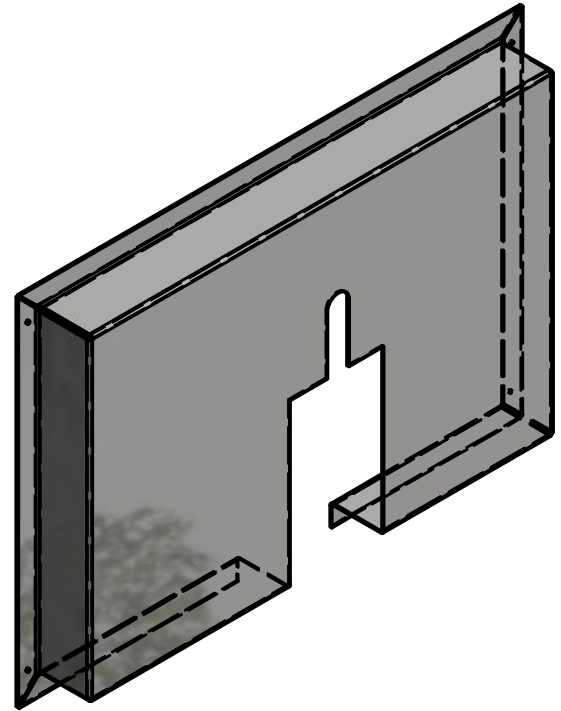
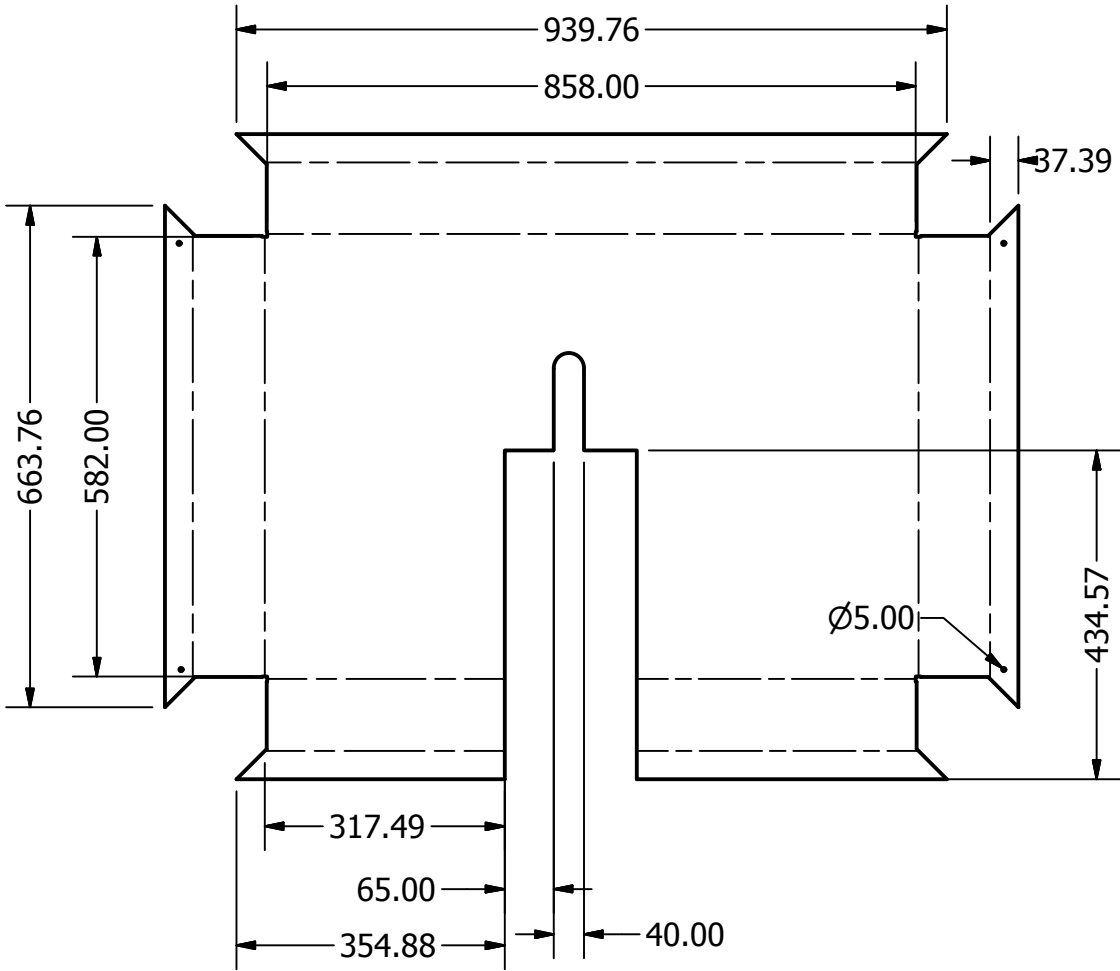
DRAWN	User	07/05/2014		
CHECKED				
QA			TITLE	
MFG			Lámina frontal corte	
APPROVED			SIZE	DWG NO
				REV
			SCALE	SHEET 1 OF 1



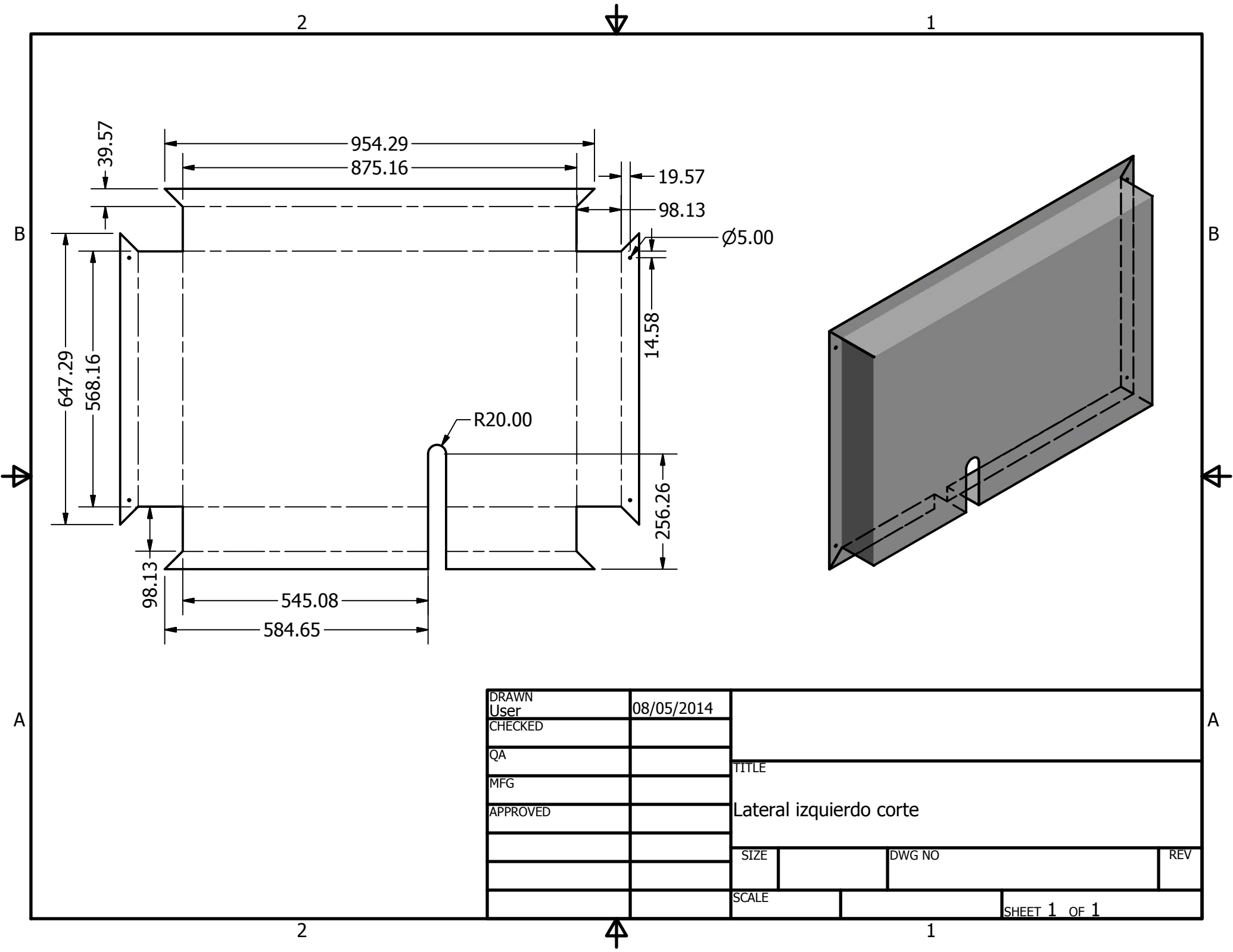
DRAWN	07/05/2014			
User				
CHECKED				
QA		TITLE		
MFG		Lámina Superior Corte		
APPROVED		SIZE	DWG NO	REV
		SCALE	SHEET 1 OF 1	



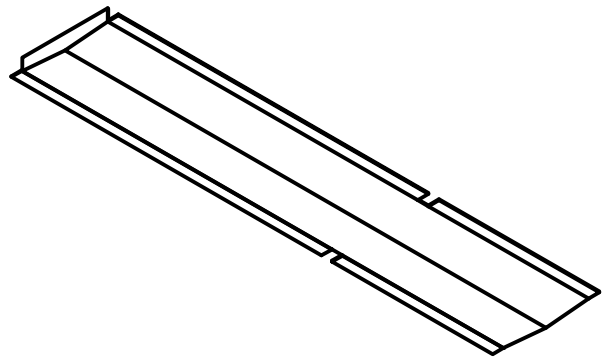
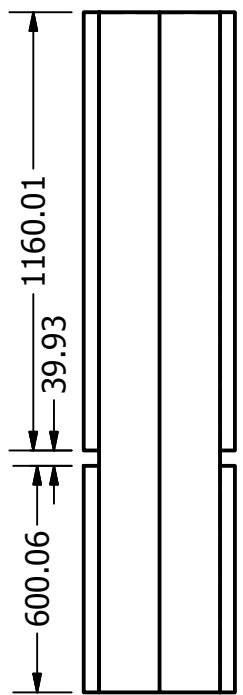
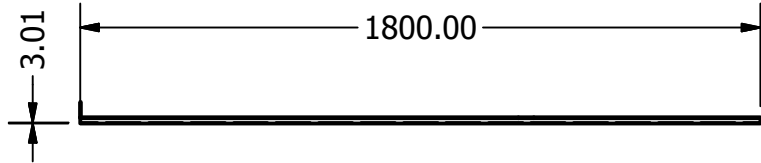
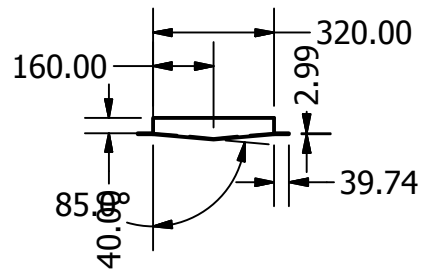
DRAWN	08/05/2014			
User				
CHECKED				
QA		TITLE		
MFG		Lámina Trasera Corte		
APPROVED		SIZE	DWG NO	REV
		SCALE	SHEET 1 OF 1	



DRAWN	User	08/05/2014		
CHECKED				
QA			TITLE	
MFG			Lateral derecho corte	
APPROVED			SIZE	DWG NO
				REV
			SCALE	SHEET 1 OF 1



DRAWN	User	08/05/2014			
CHECKED					
QA			TITLE		
MFG			Lateral izquierdo corte		
APPROVED			SIZE	DWG NO	REV
			SCALE	1	SHEET 1 OF 1



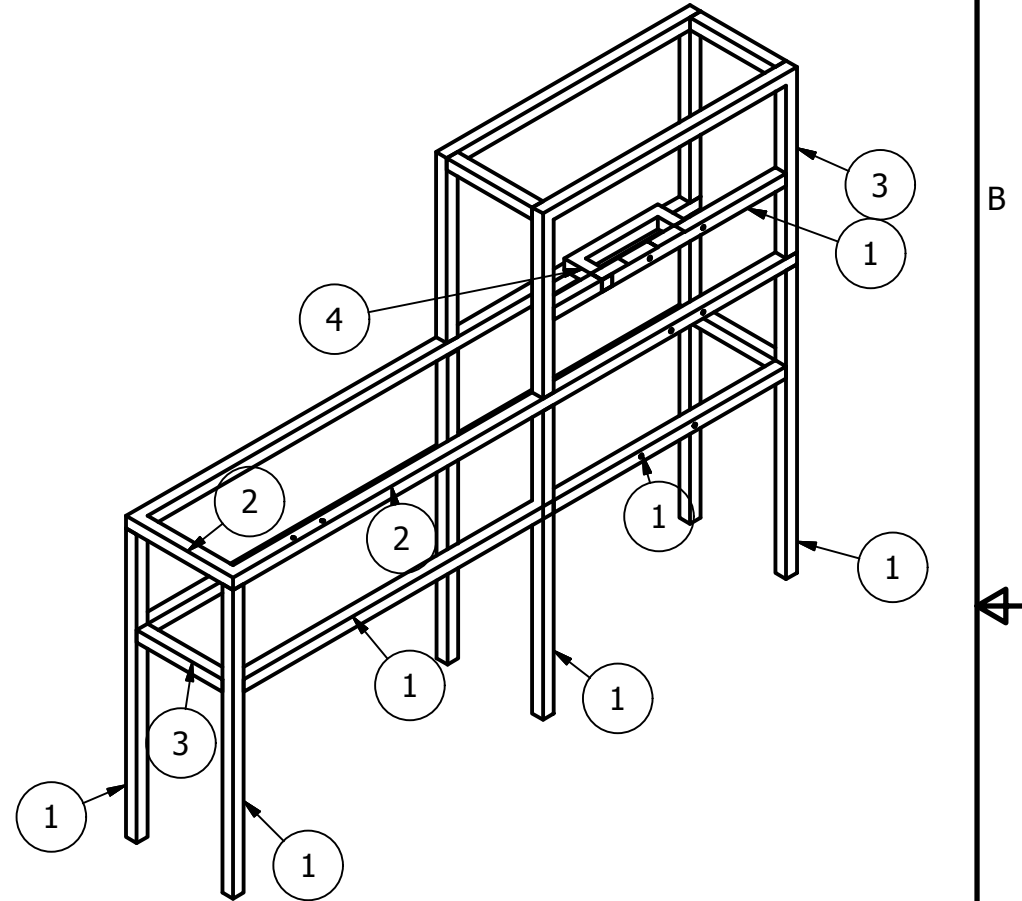
DRAWN	User	07/05/2014			
CHECKED					
QA			TITLE		
MFG			Lámina inferior		
APPROVED			SIZE	DWG NO	REV
			SCALE	SHEET 1 OF 1	

2



1

PARTS LIST			
ITEM	QTY	PART NUMBER	DESCRIPTION
1	6	apoyo	
2	1	base entrada	
3	4	barra horizontal 2	
4	2	barra horizontal	
5	2	barra horizontal 1	
6	2	marco discos	
7	1	barra horizontal base motor	
8	8	porta rodamiento cinta sujeción	
10	1	base motorreductor (01)	
11	1	base motorreductor (02)	
12	1	base rodamiento discos	



B

B

A

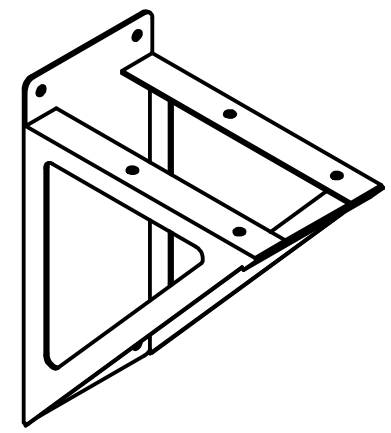
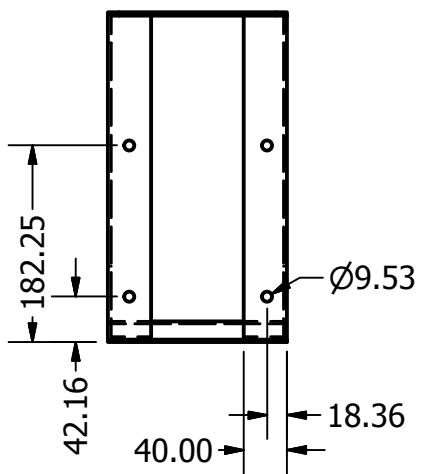
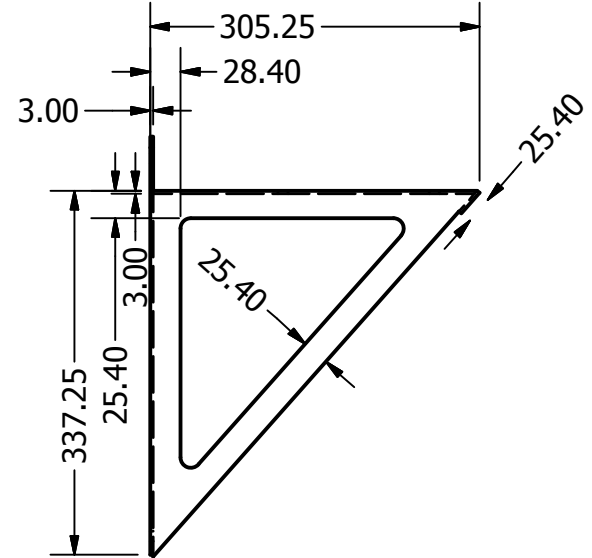
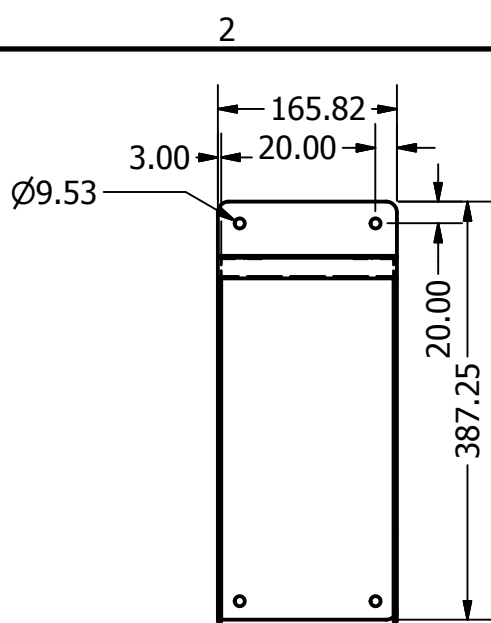
A

DRAWN User	08/05/2014			
CHECKED				
QA		TITLE		
MFG		Estructura Soldada		
APPROVED		SIZE	DWG NO	REV
		SCALE	SHEET 1 OF 1	

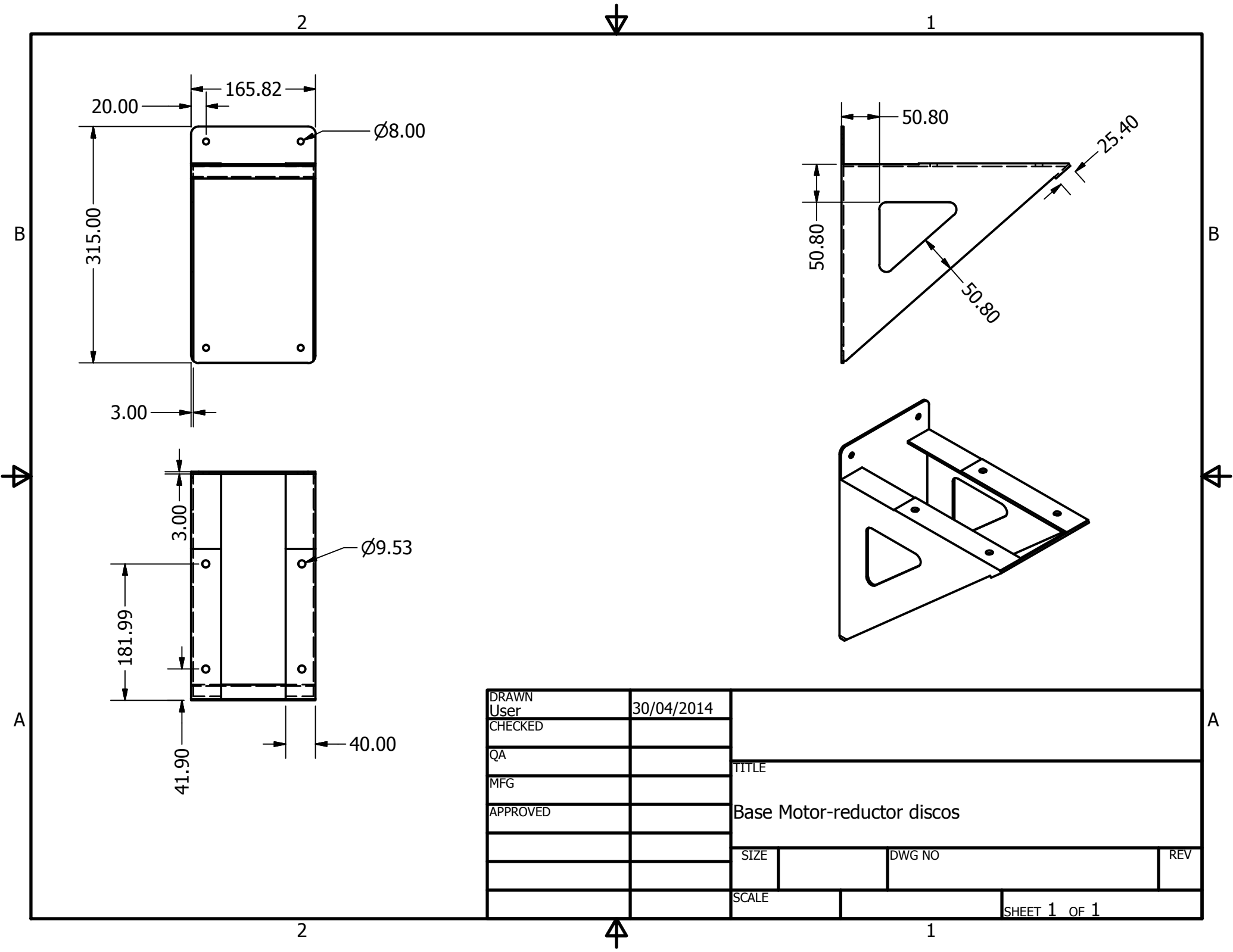
2

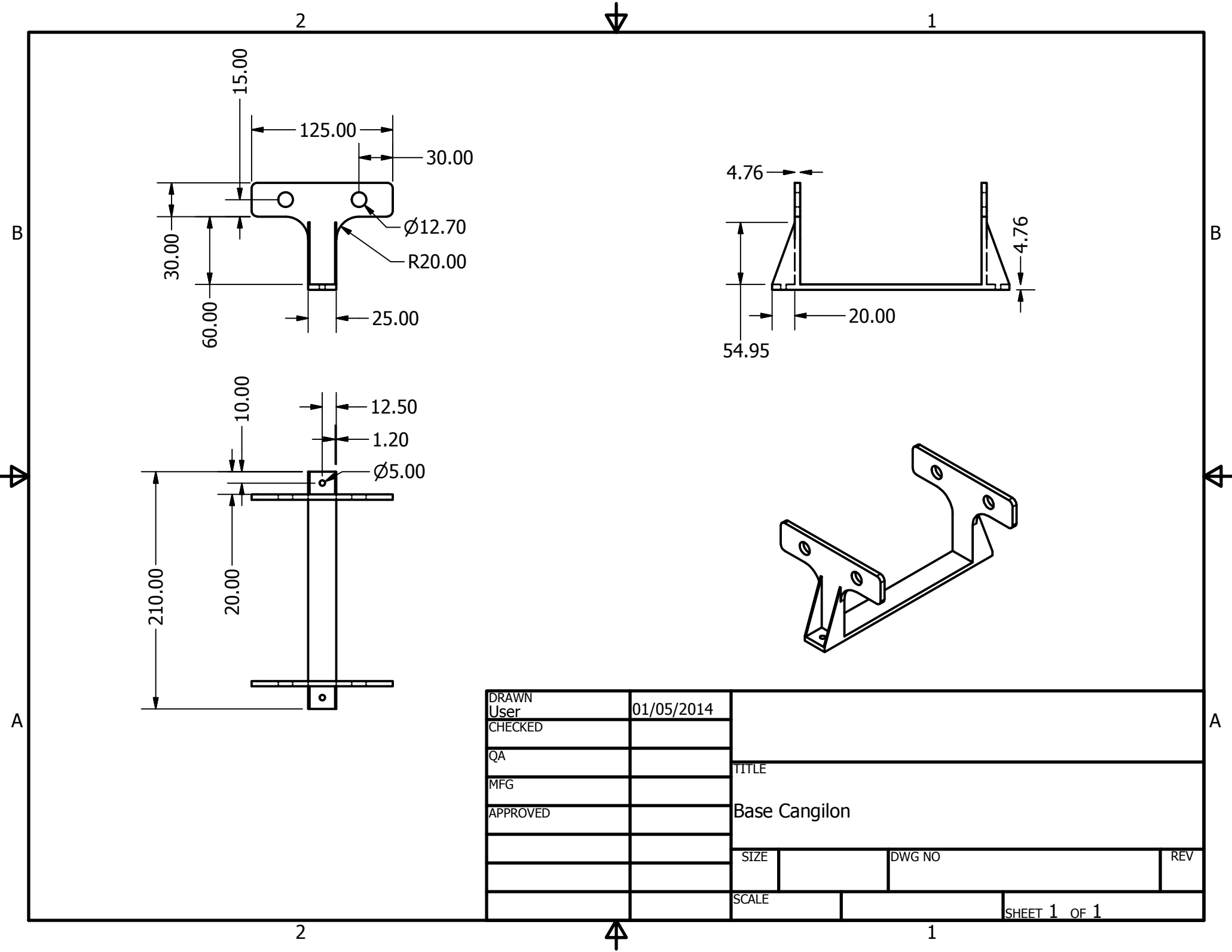


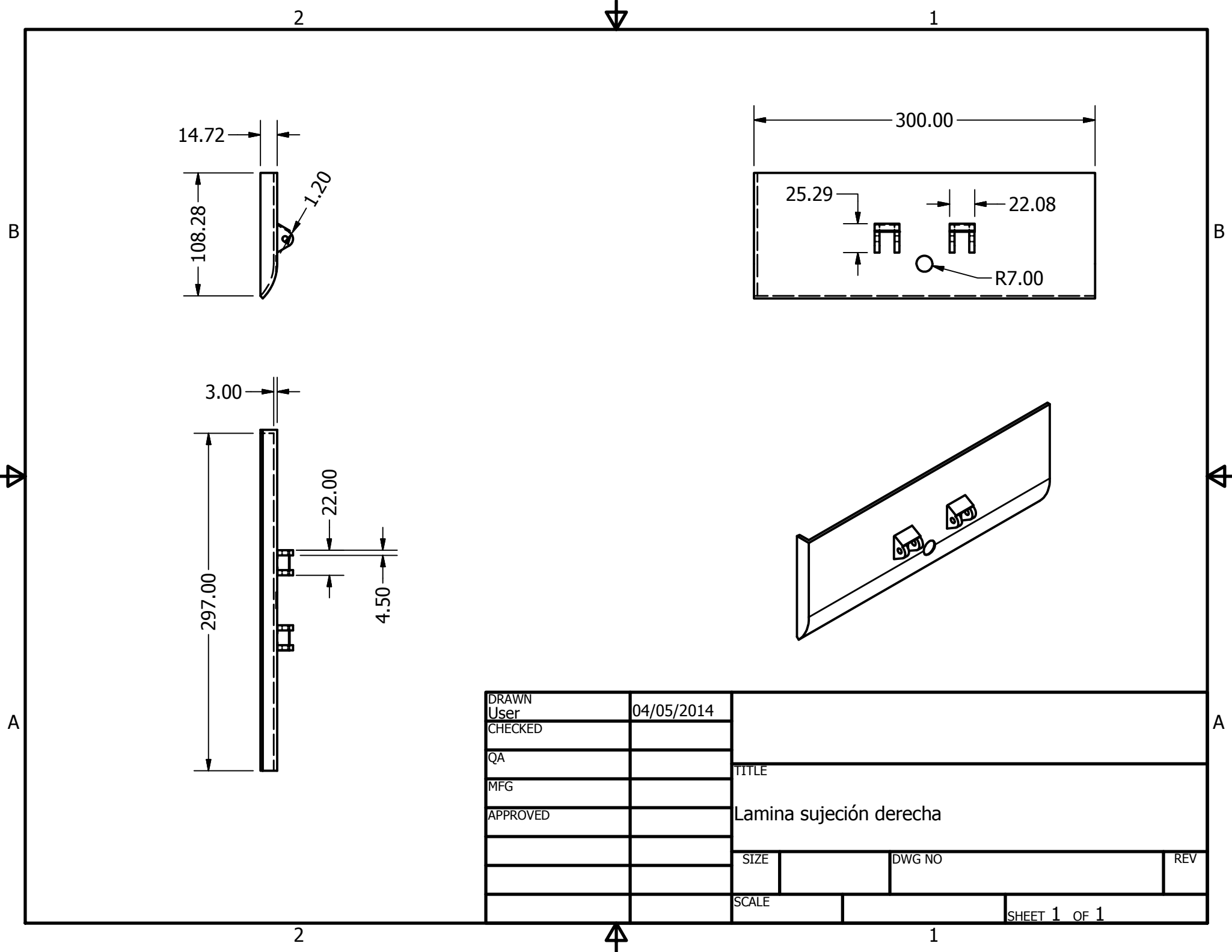
1



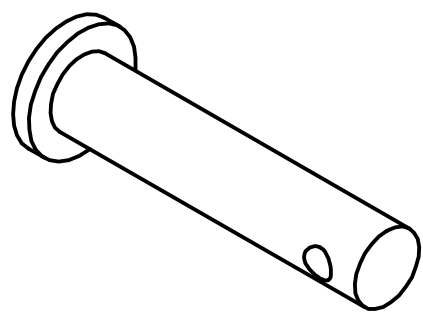
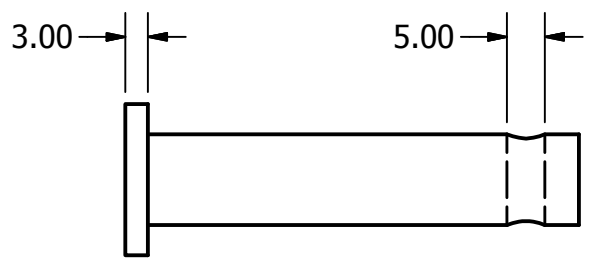
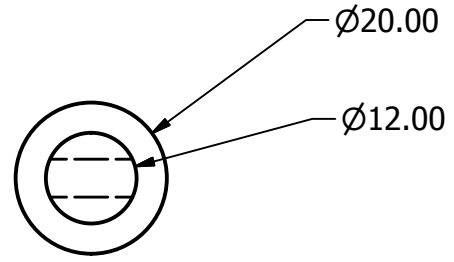
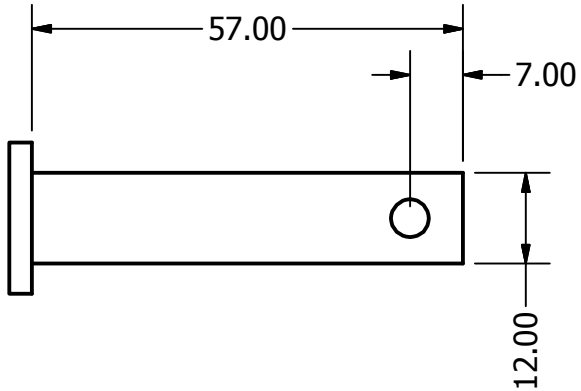
DRAWN	User	29/04/2014		
CHECKED				
QA			TITLE	
MFG			Base motor-reductor Sujeción	
APPROVED			SIZE	DWG NO
				REV
			SCALE	SHEET 1 OF 1



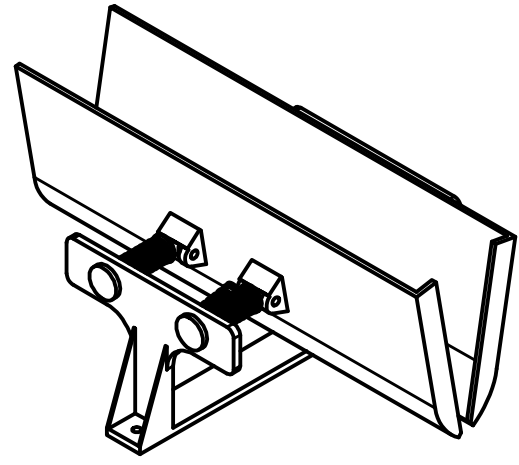
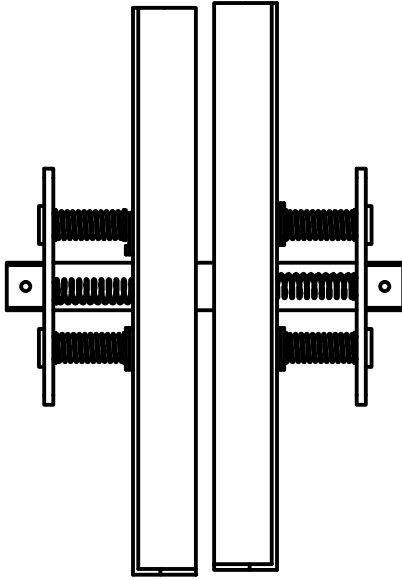
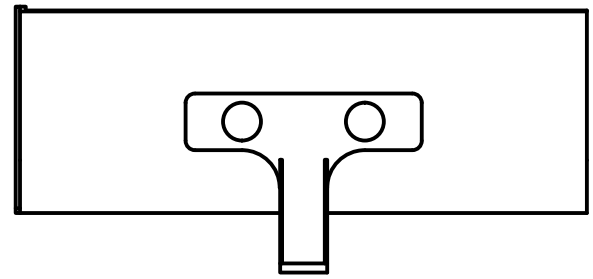
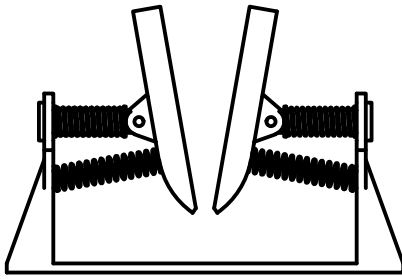




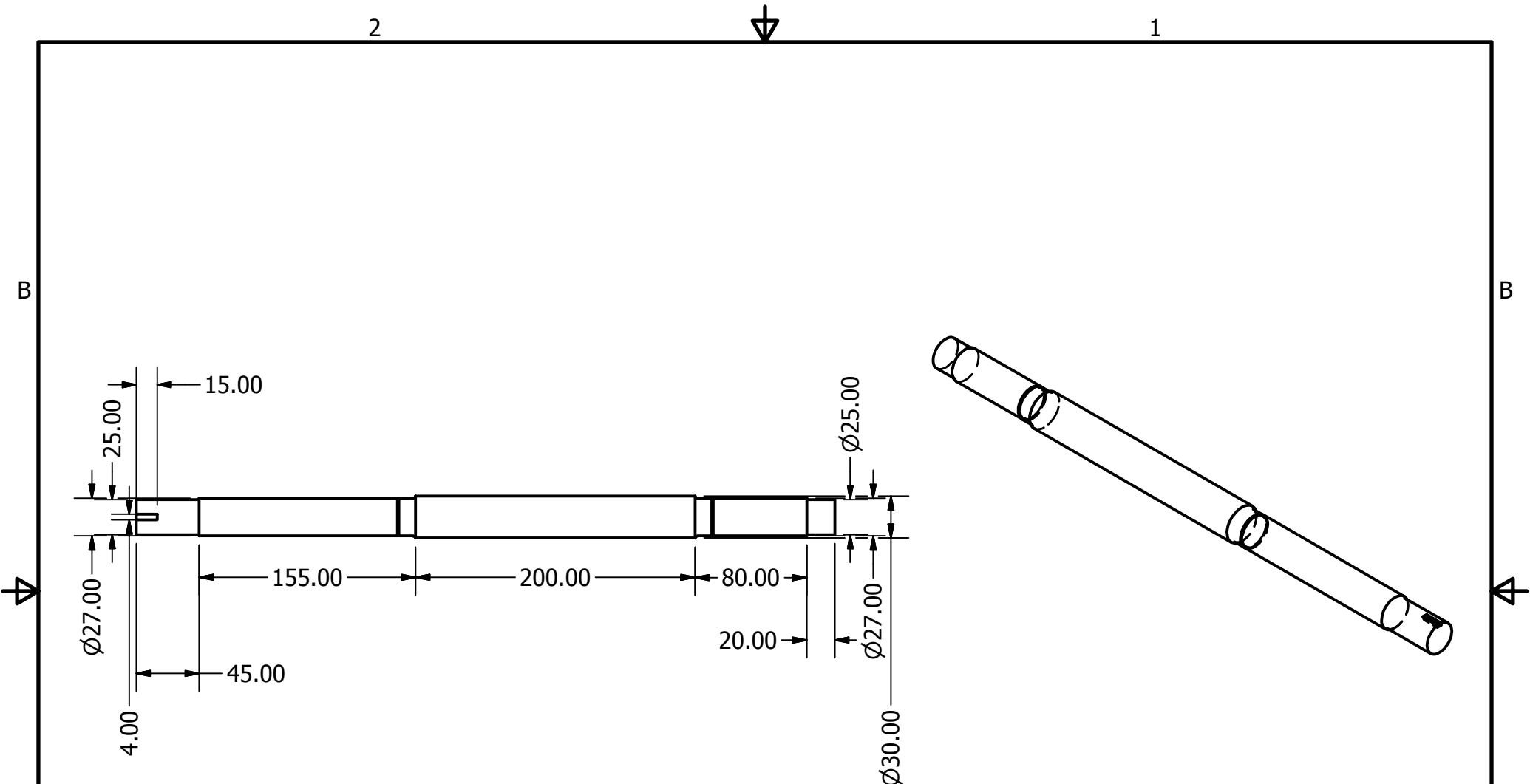
DRAWN	User	04/05/2014		
CHECKED				
QA			TITLE	
MFG			Lamina sujeción derecha	
APPROVED			SIZE	DWG NO
				REV
			SCALE	SHEET 1 OF 1



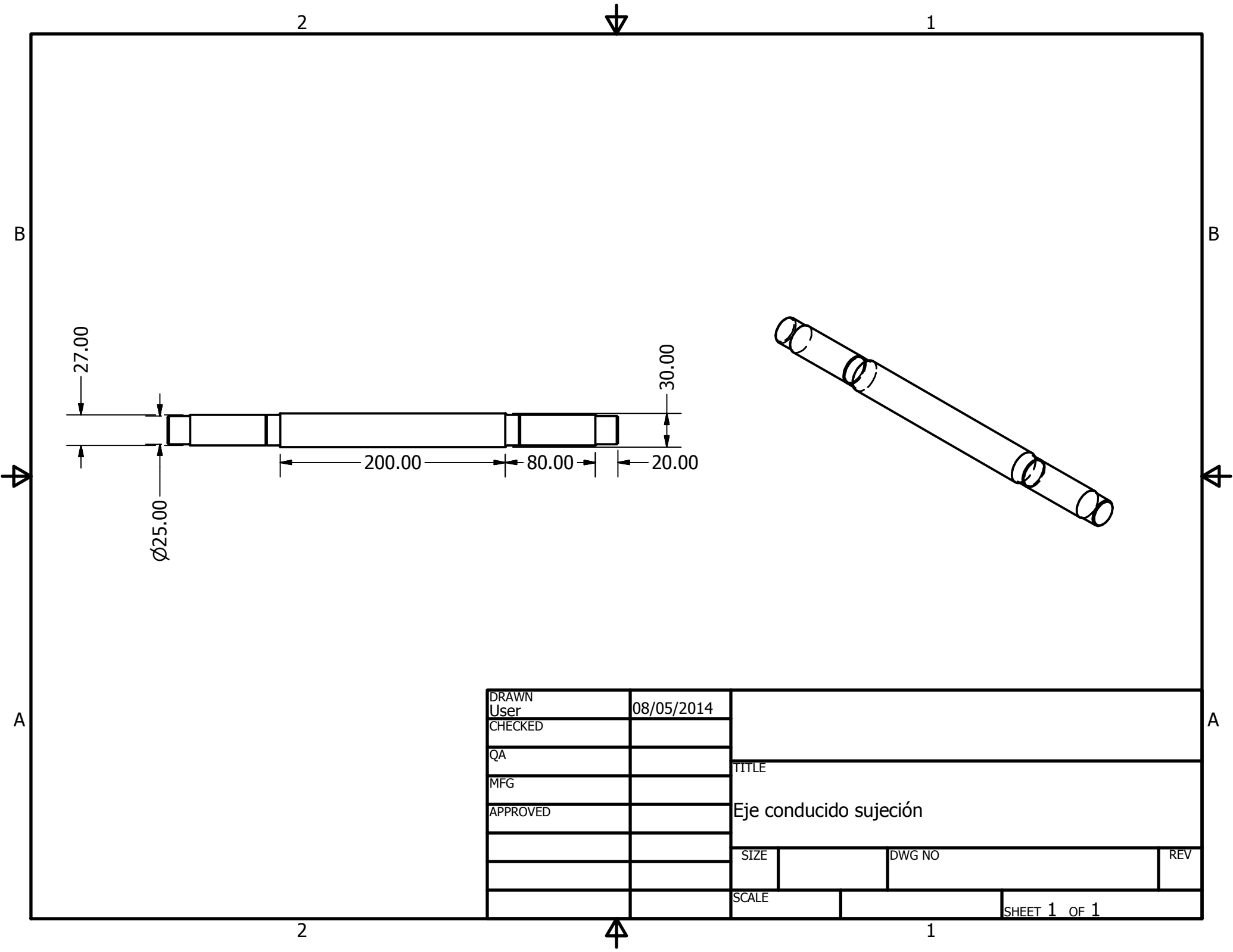
DRAWN	User	04/05/2014		
CHECKED				
QA			TITLE	
MFG			Barra Pivote	
APPROVED			SIZE	DWG NO
				REV
			SCALE	SHEET 1 OF 1



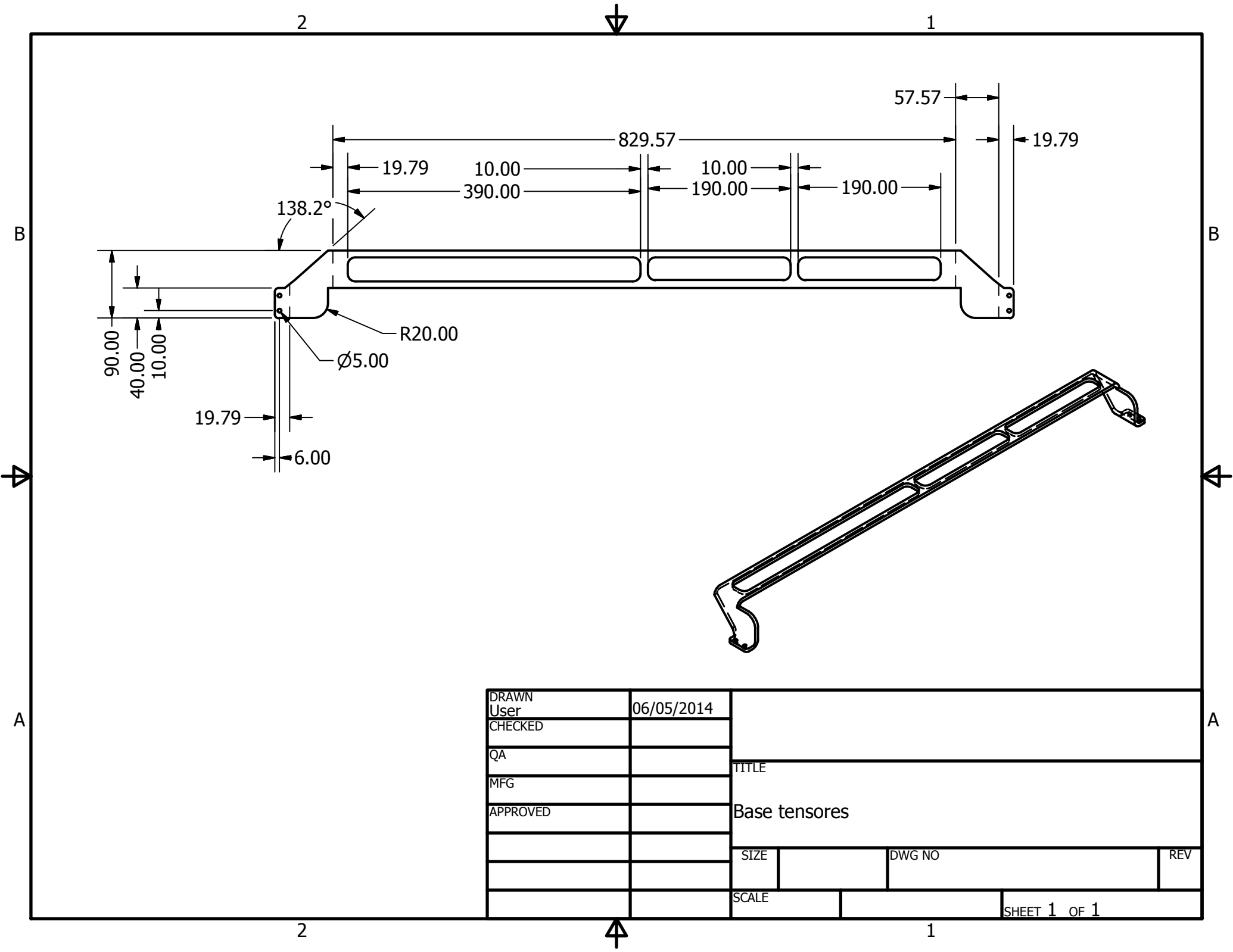
DRAWN	User	30/04/2014		
CHECKED				
QA			TITLE	
MFG			Sub- Conjunto Cangilón	
APPROVED			SIZE	DWG NO
			A	
			SCALE	REV
				SHEET 1 OF 1



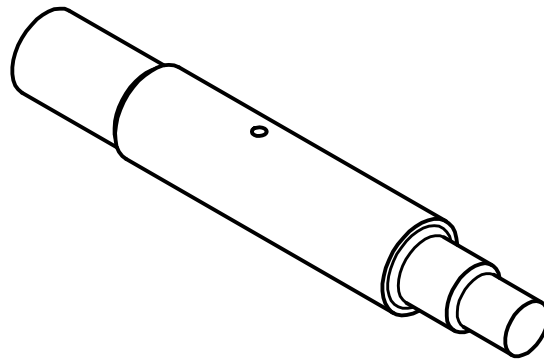
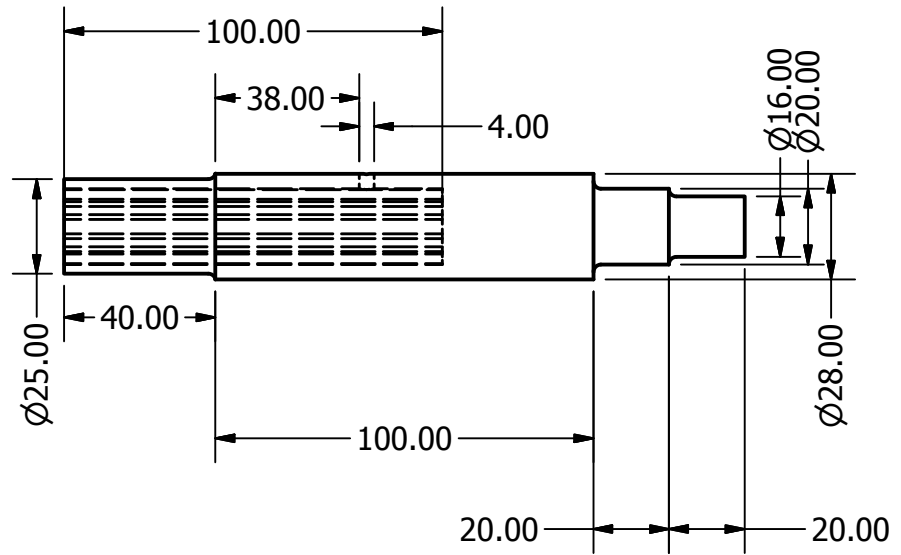
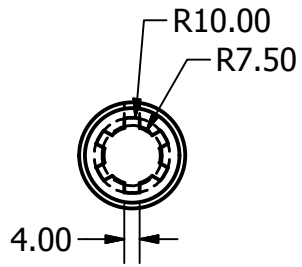
DRAWN	08/05/2014			
CHECKED				
QA		TITLE		
MFG		Eje motriz sujeción		
APPROVED		SIZE	DWG NO	REV
		SCALE	SHEET 1 OF 1	



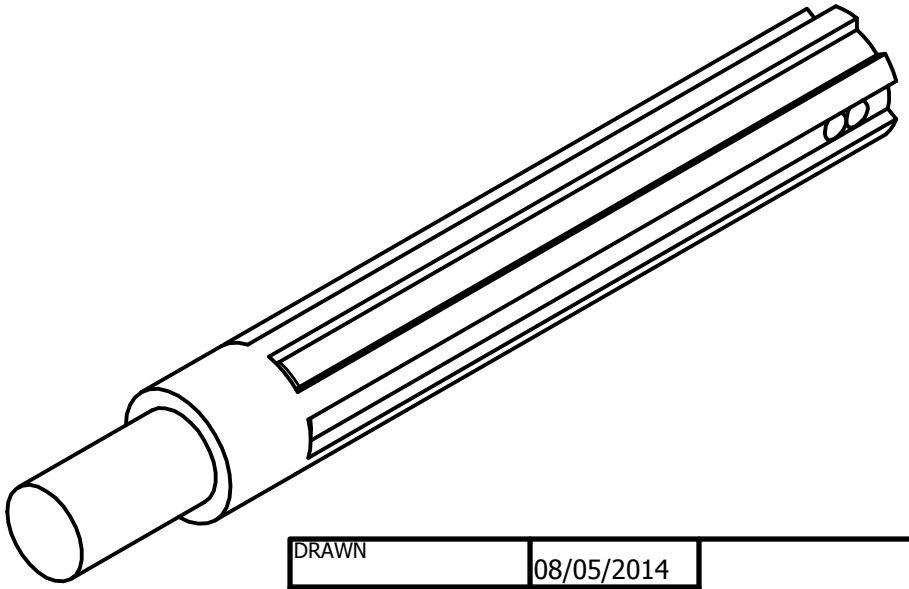
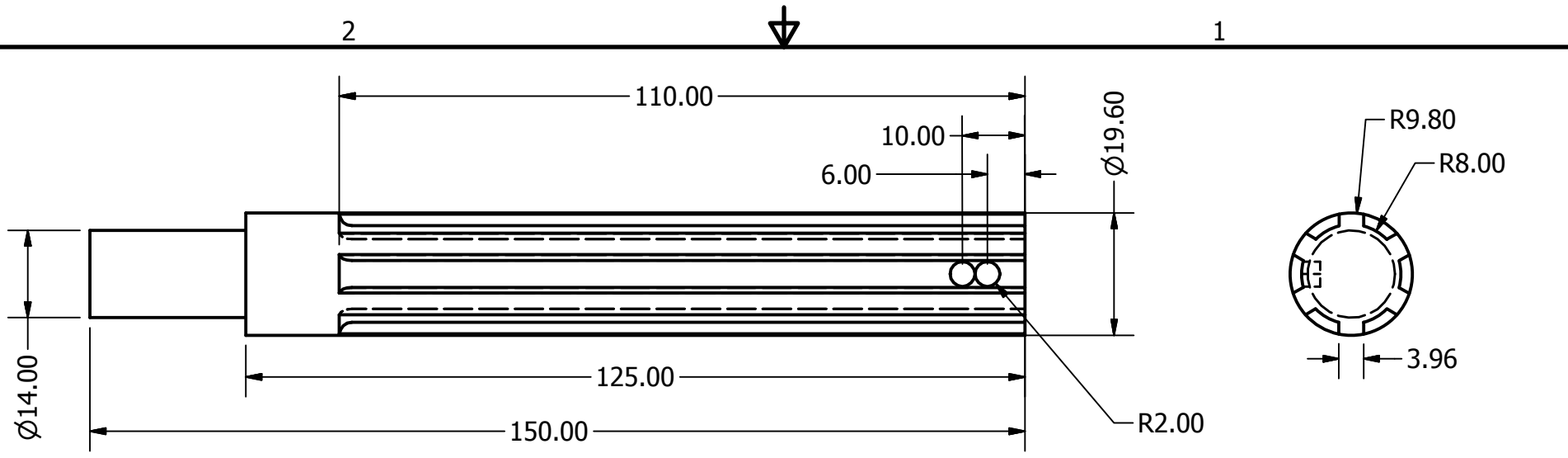
DRAWN	User	08/05/2014		
CHECKED				
QA			TITLE	
MFG			Eje conducido sujeción	
APPROVED			SIZE	DWG NO
				REV
			SCALE	SHEET 1 OF 1



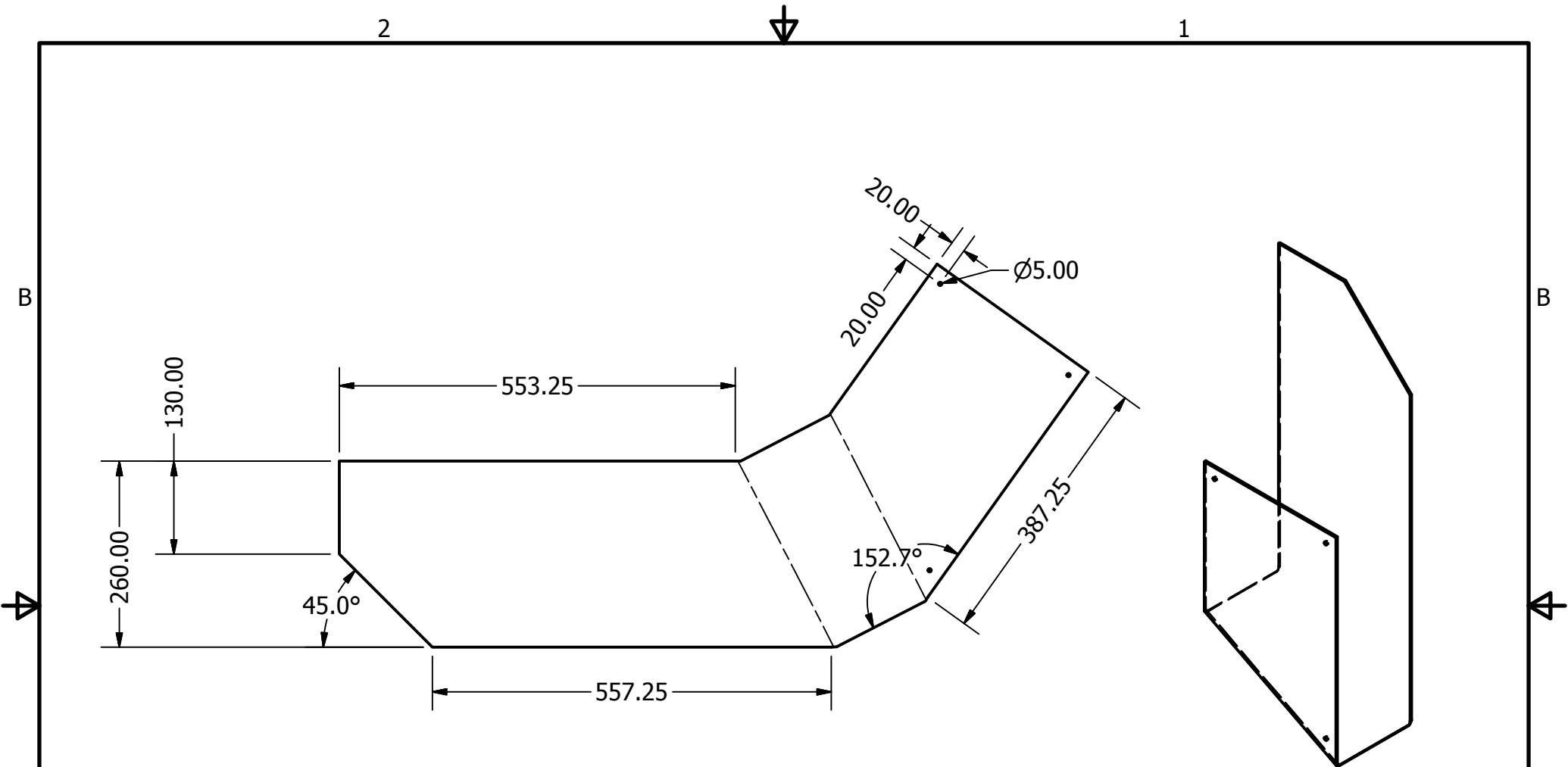
DRAWN	User	06/05/2014		
CHECKED				
QA			TITLE	
MFG			Base tensores	
APPROVED			SIZE	DWG NO
				REV
			SCALE	SHEET 1 OF 1



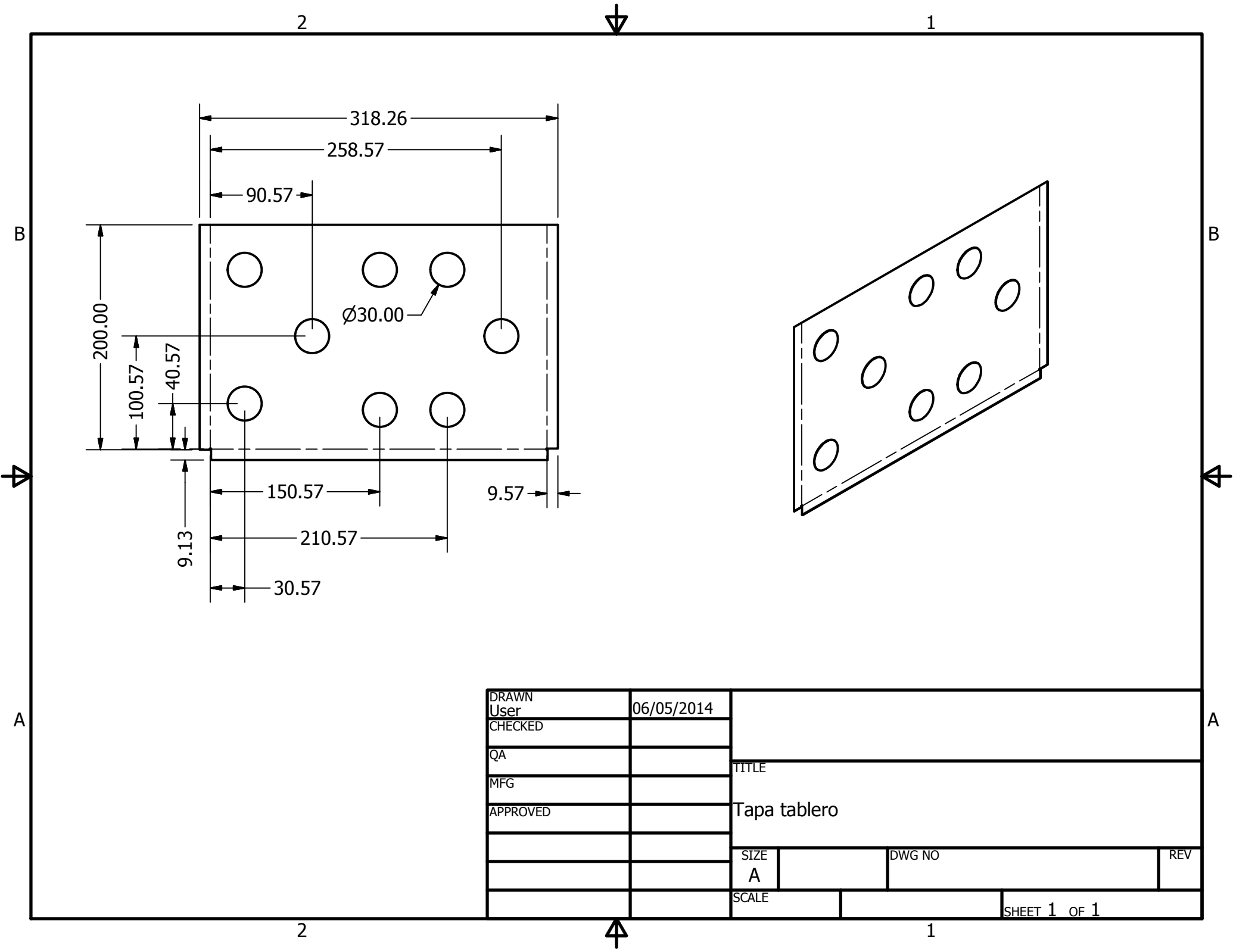
DRAWN	User	08/05/2014		
CHECKED				
QA			TITLE	
MFG			Nervado Interior	
APPROVED			SIZE	DWG NO
				REV
			SCALE	SHEET 1 OF 1



DRAWN	08/05/2014			
CHECKED				
QA		TITLE		
MFG		Nervado exterior		
APPROVED		SIZE	DWG NO	REV
		A		
		SCALE	SHEET 1 OF 1	



DRAWN	User	06/05/2014		
CHECKED				
QA			TITLE	
MFG			Lámina separación	
APPROVED			SIZE	DWG NO
			A	
			SCALE	REV
			SHEET 1 OF 1	



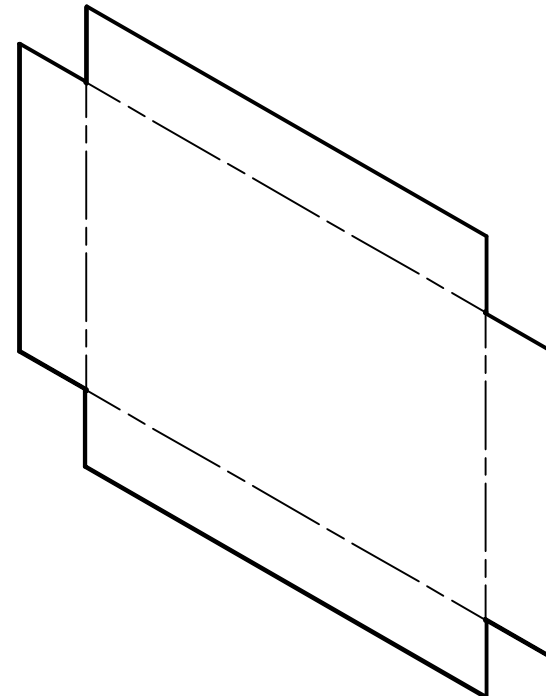
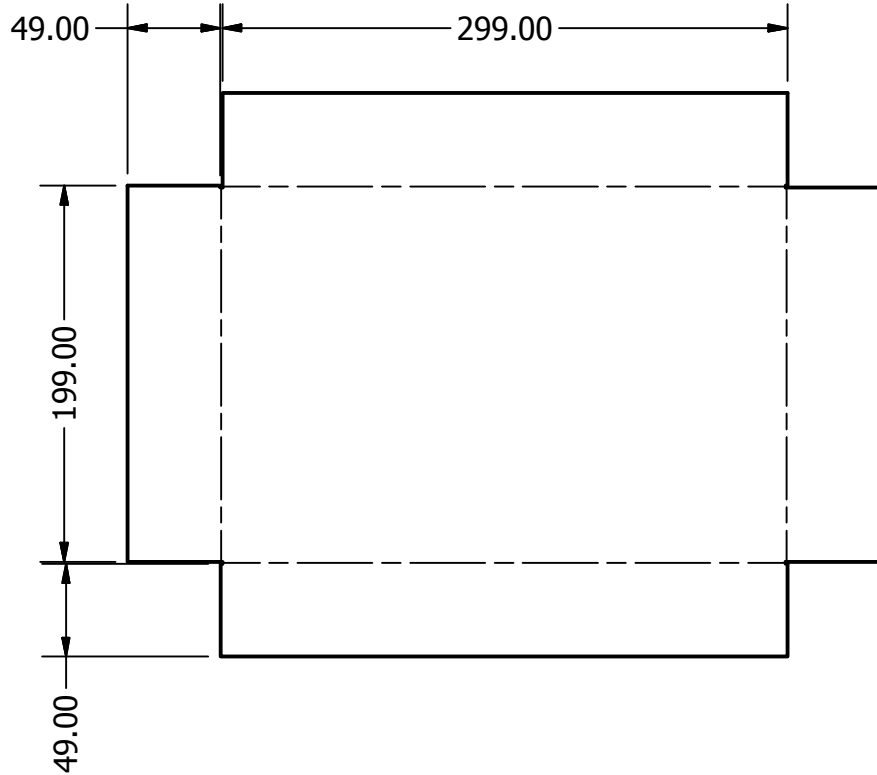
2



1

B

B



A

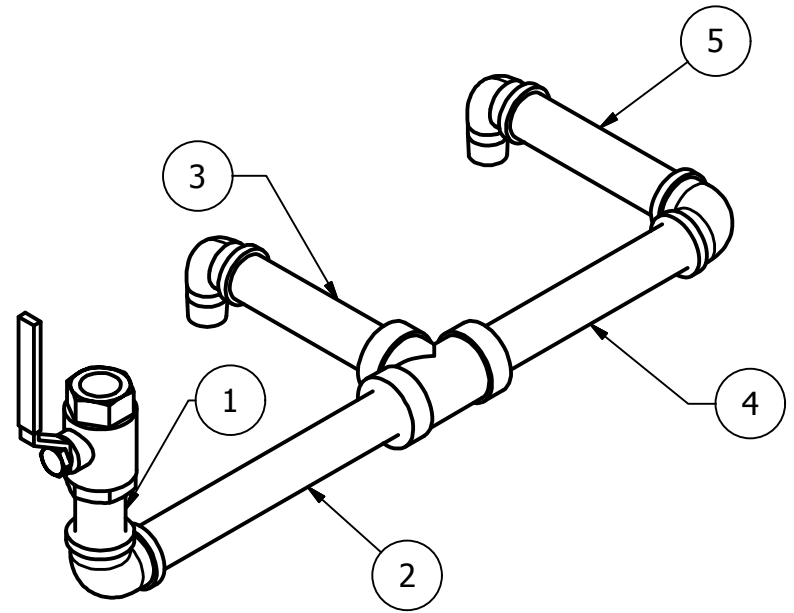
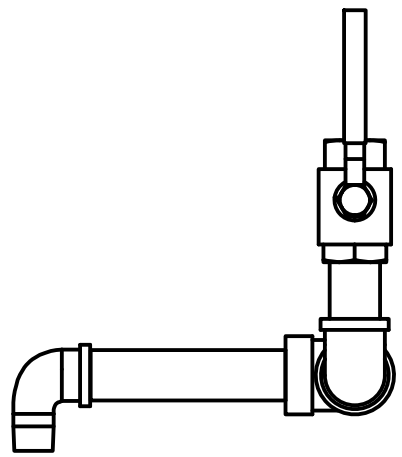
A

DRAWN	06/05/2014			
CHECKED				
QA		TITLE		
MFG		Cuerpo Tablero		
APPROVED		SIZE	DWG NO	REV
		A		
		SCALE	1	SHEET 1 OF 1

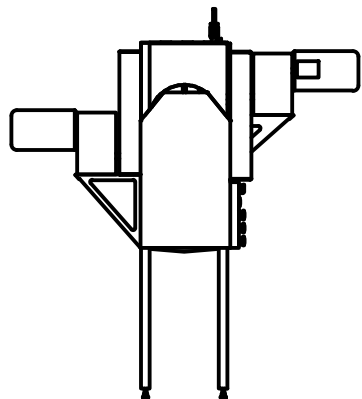
2



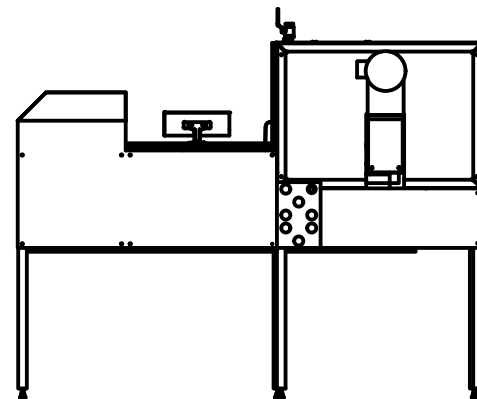
1



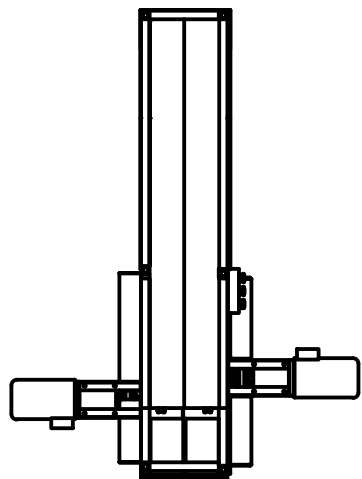
DRAWN	User	07/05/2014		
CHECKED				
QA			TITLE	
MFG			Conjunto Tubería	
APPROVED			SIZE	DWG NO
			A	
			SCALE	REV
			SHEET 1 OF 1	



2

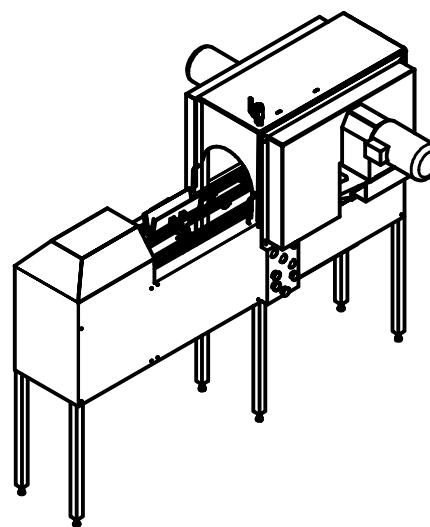


1



B

B



A

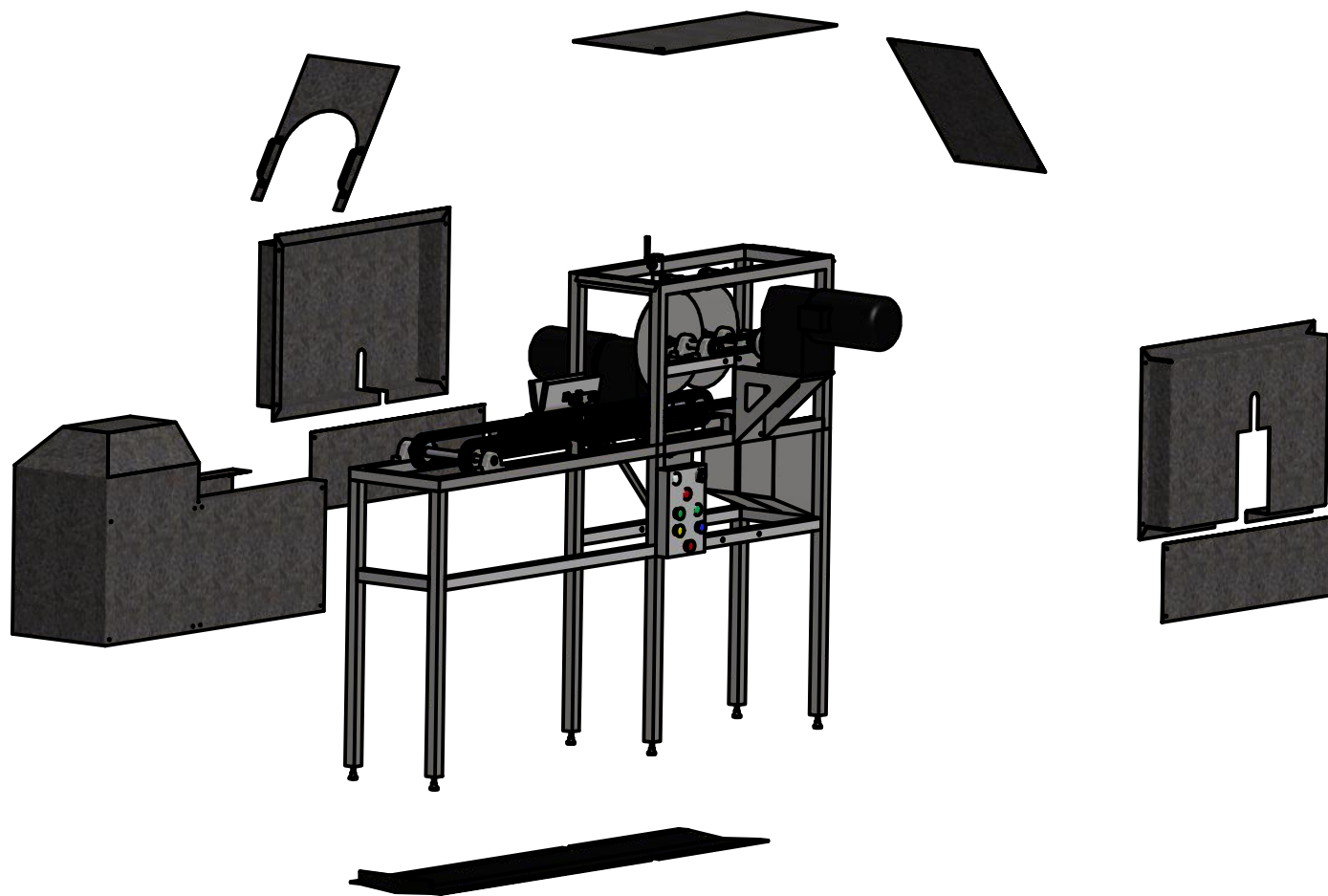
A

DRAWN	User	22/05/2014			
CHECKED					
QA			TITLE		
MFG			Equipo Fileteador de Pescado		
APPROVED			SIZE	DWG NO	REV
			A		
			SCALE		SHEET 1 OF 1

2

1

1



DRAWN User	01/06/2014	Universidad Central de Venezuela		
CHECKED		TITLE		
QA		Equipo Fileteador de Pescado		
MFG		SIZE	DWG NO	REV
APPROVED		A		
		SCALE	SHEET 1 OF 1	