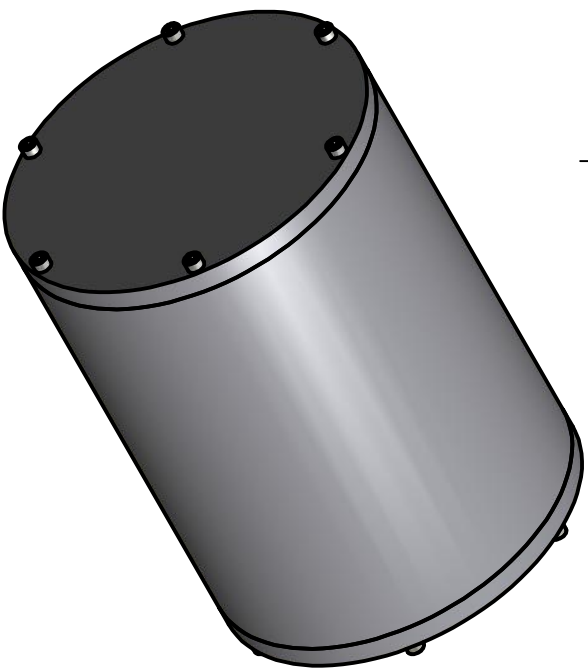
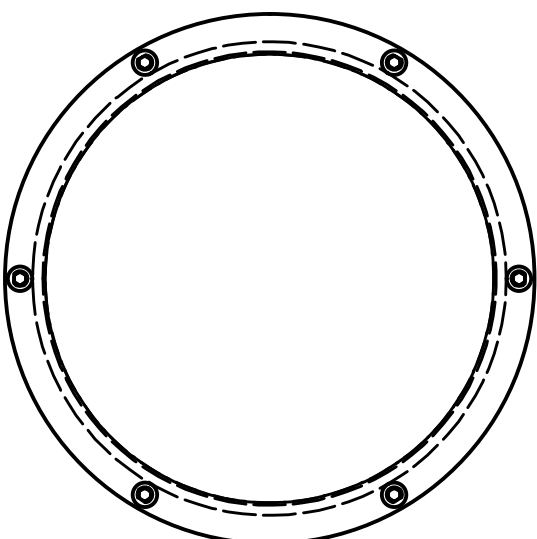


torneado



| Designed by | Checked by | Approved by | Date |
|-------------------|------------|-------------|-----------|
| Alessandro Tutino | | | 4/25/2015 |

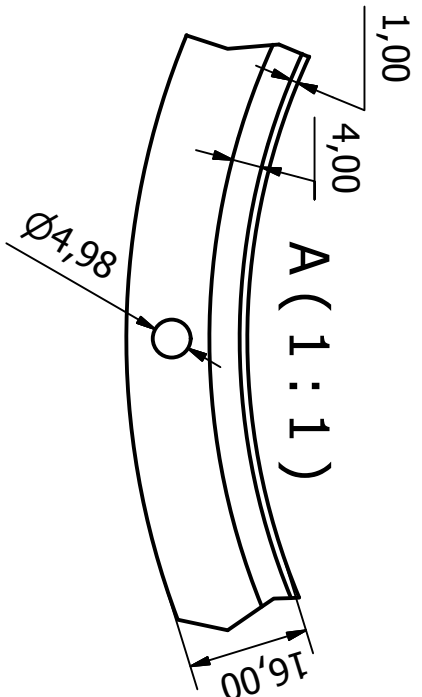
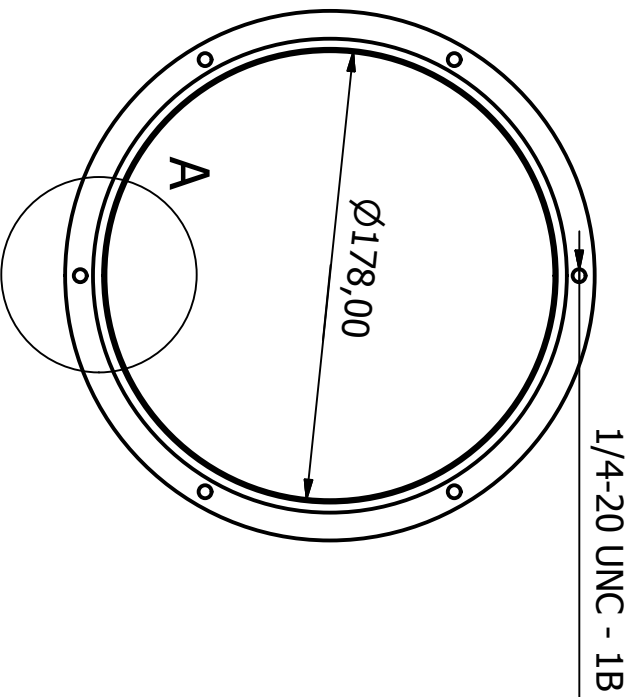
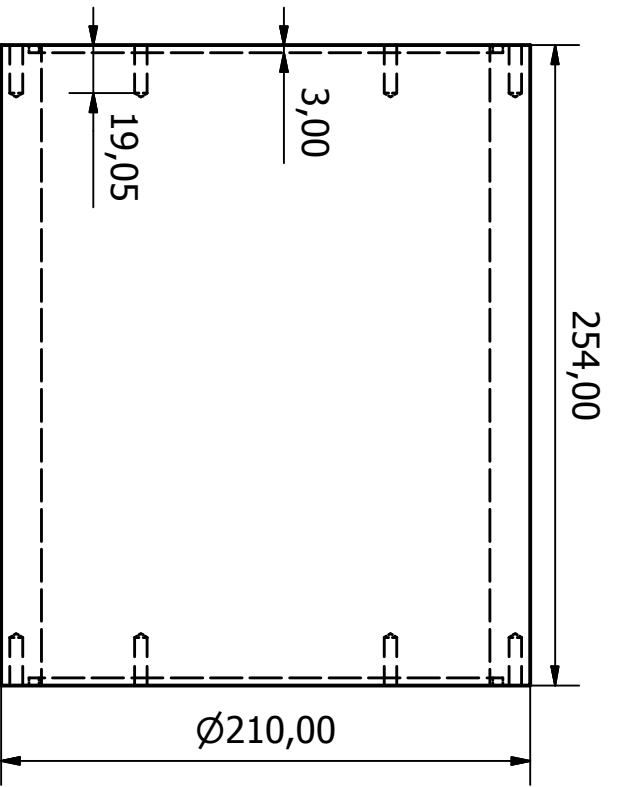
Universidad Central de Venezuela

Recipiente

planos recipiente

Edition

Sheet
1 / 4



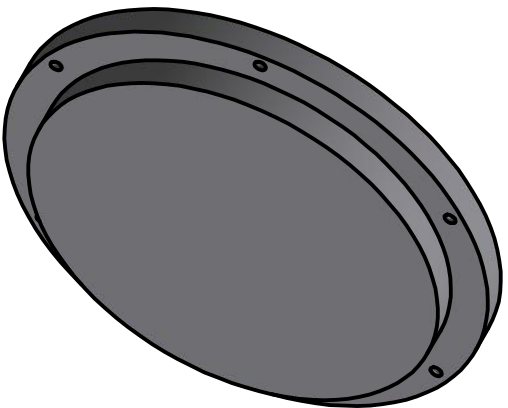
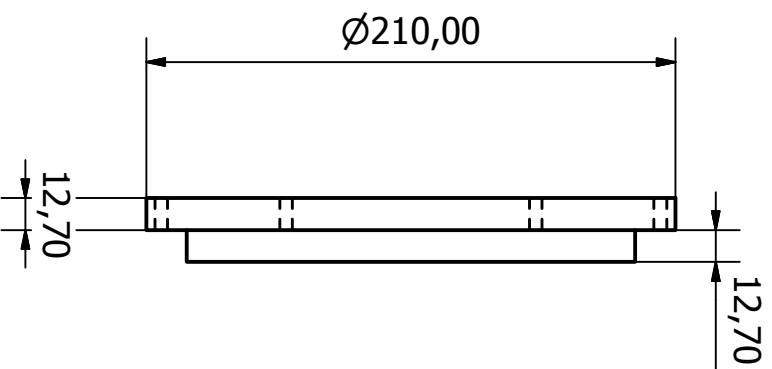
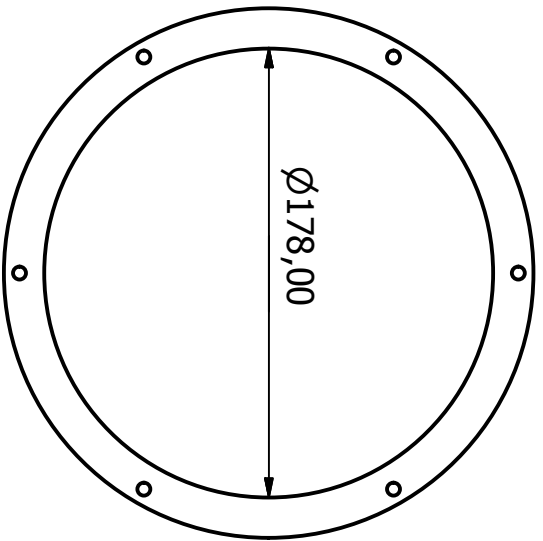
| | | | | |
|-------------------|------------|-------------|------|-----------|
| Designed by | Checked by | Approved by | Date | Date |
| Alessandro Tutino | | | | 4/25/2015 |

Universidad Central de Venezuela

Recipiente

planos recipiente

Edition
Sheet
2 / 4



| Designed by | Checked by | Approved by | Date | Date |
|-------------------|------------|-------------|------|-----------|
| Alessandro Tutino | | | | 4/25/2015 |

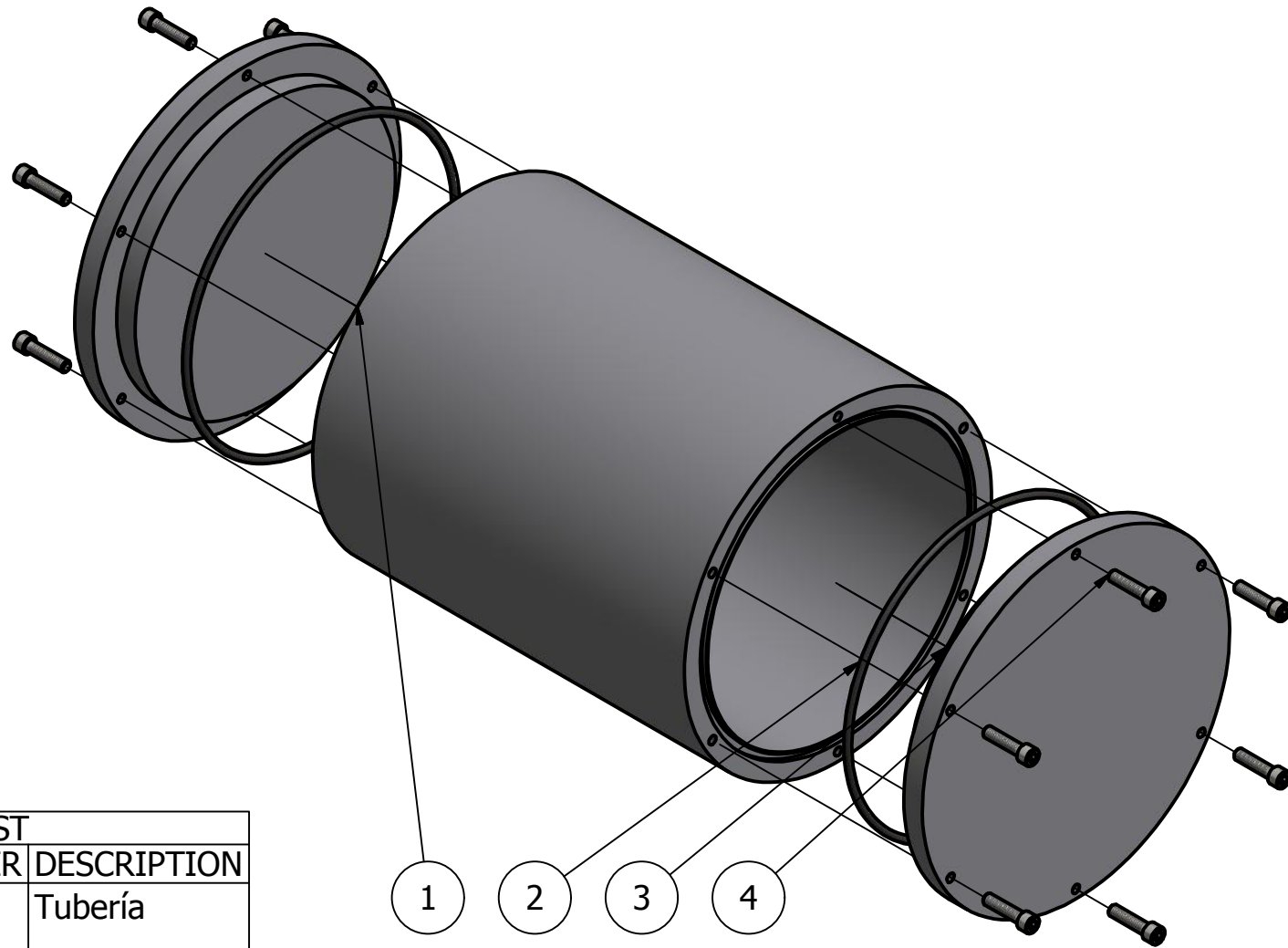
Universidad Central de Venezuela

Recipiente

planos recipiente

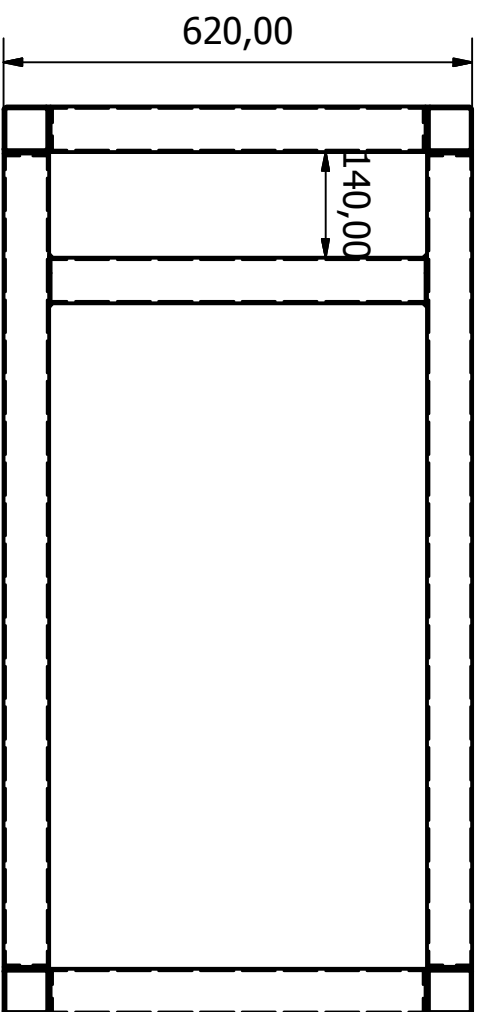
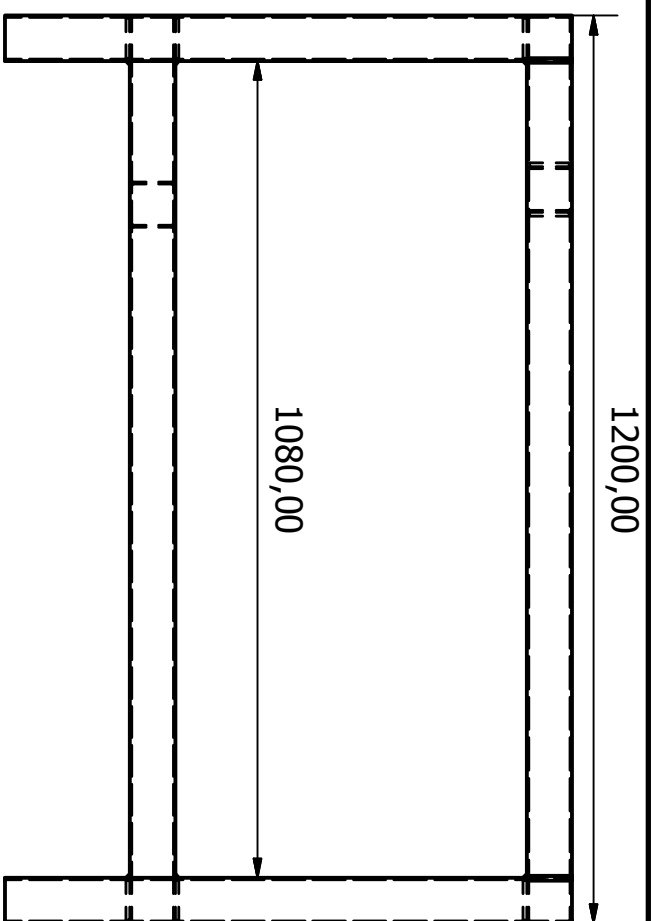
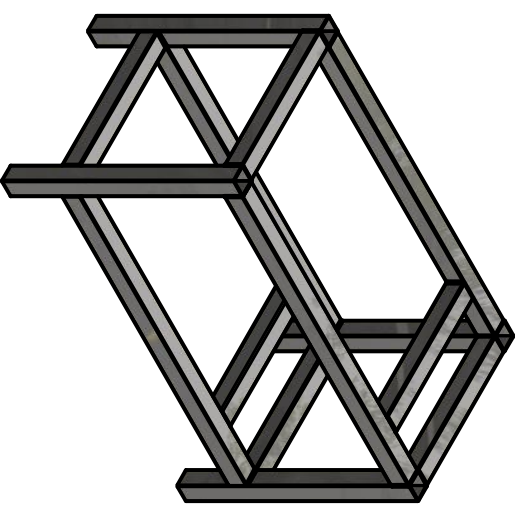
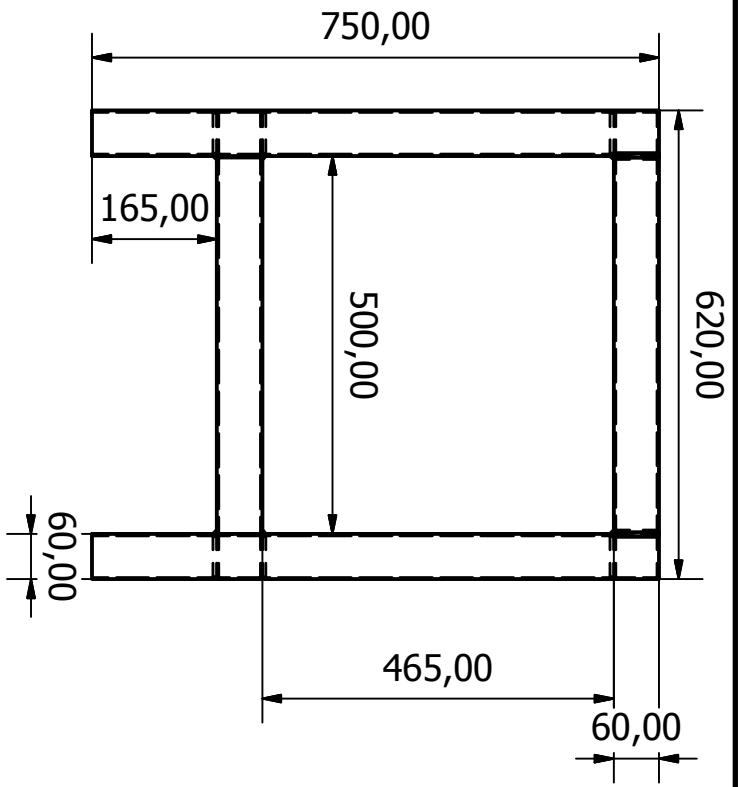
Edition

Sheet
3 / 4



| PARTS LIST | | | |
|------------|-----------|--------------------------------------|-------------------------------|
| ITEM | QTY | PART NUMBER | DESCRIPTION |
| 1 | 15.000 in | recipiente | Tubería |
| 2 | 2 | oring180 | |
| 3 | 2 | tapa | |
| 4 | 12 | ANSI B18.3 - 1/4 - 20 UNC - 1 HS HCS | Hexagon Socket Head Cap Screw |

| | | | | | |
|----------------------------------|------------|-------------|------------|-------------------|--|
| Designed by Alessandro Tutino | Checked by | Approved by | Date | Date 4/25/2015 | |
| Universidad Central de Venezuela | | | Recipiente | | |
| planos recipiente | | | Edition | Sheet 4 / 4 | |



| | | | | |
|-------------------|------------|-------------|------|-----------|
| Designed by | Checked by | Approved by | Date | Date |
| Alessandro Tutino | | | | 4/25/2015 |

Universidad Central de Venezuela

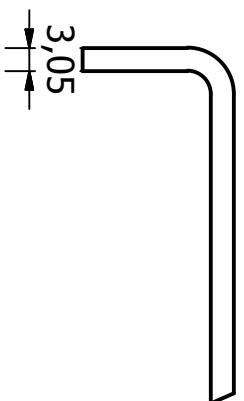
mesa

estructura planos

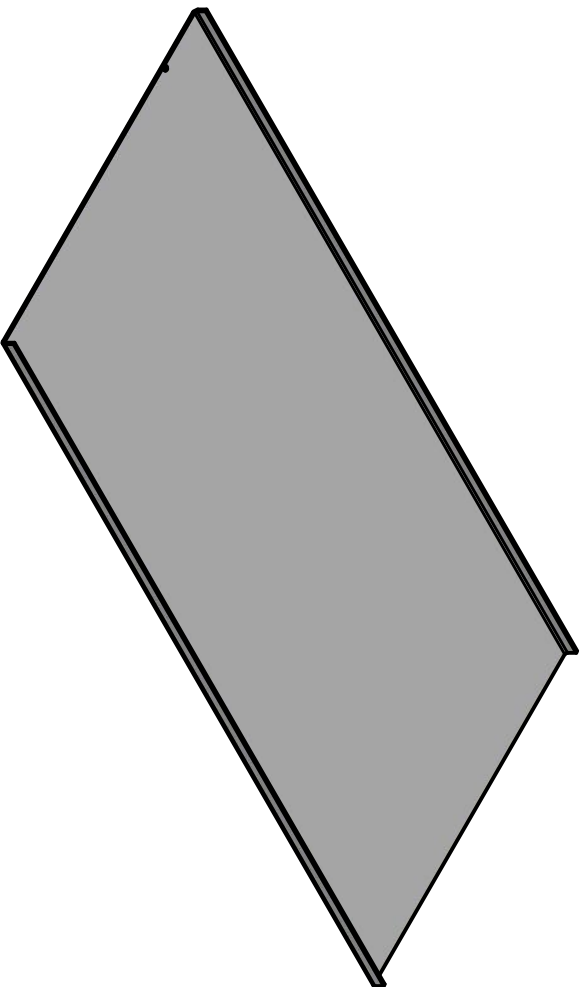
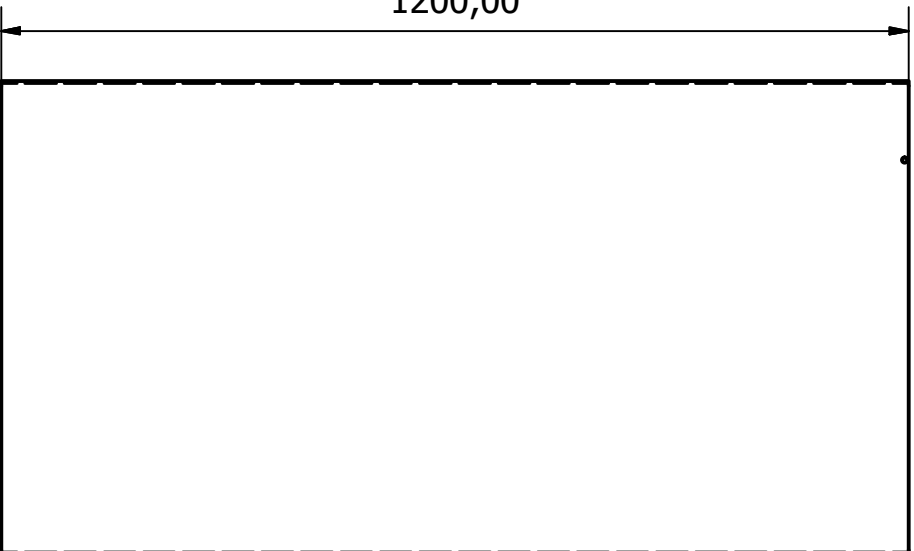
Edition

Sheet
1 / 3

A (1:1)



1200,00



| Designed by | Checked by | Approved by | Date | Date |
|-------------------|------------|-------------|------|-----------|
| Alessandro Tutino | | | | 4/25/2015 |

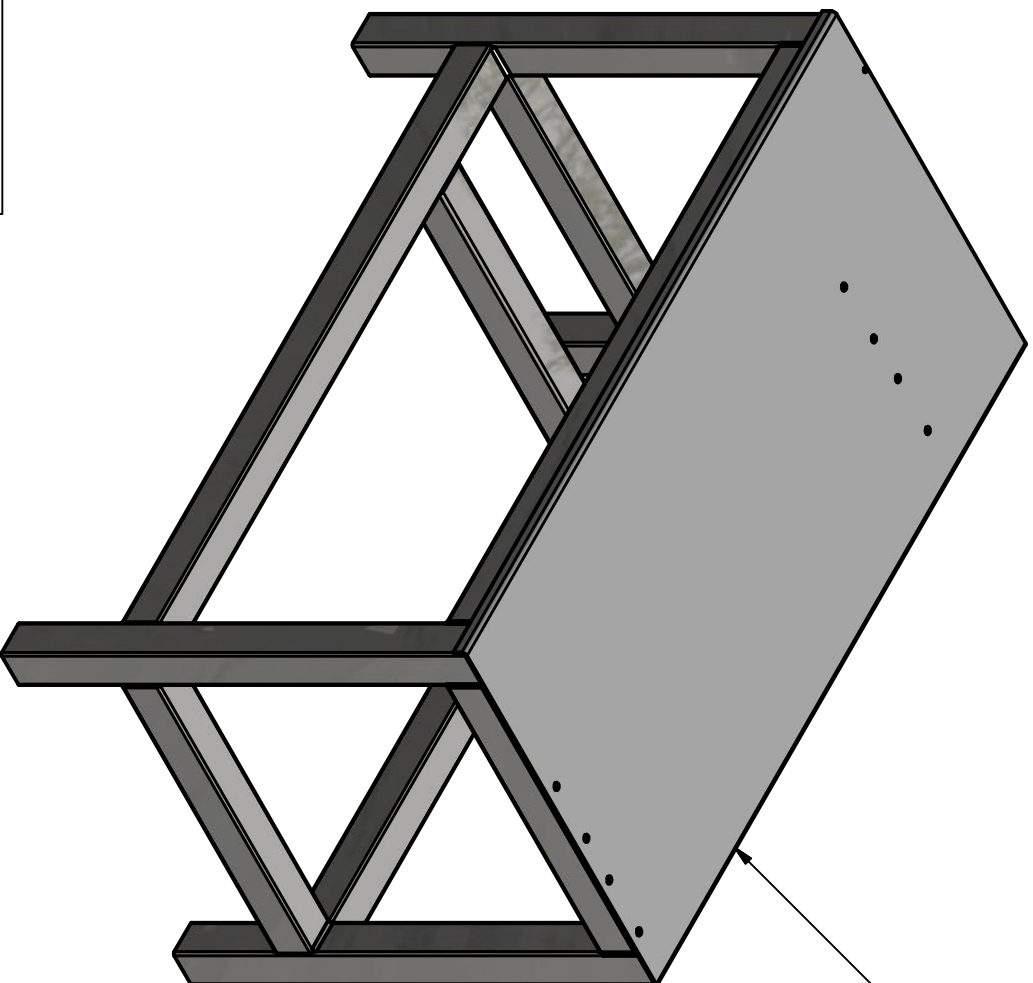
Universidad Central de Venezuela

estructura planos

mesa

Edition

Sheet
2 / 3



2

1

PARTS LIST

| ITEM | QTY | PART NUMBER | DESCRIPTION |
|------|-----|--------------------------------|----------------------------------|
| 1 | 1 | estructura tubo cuadrado 60X60 | longitud total de tuberia 11 mts |
| 2 | 1 | lamina | |

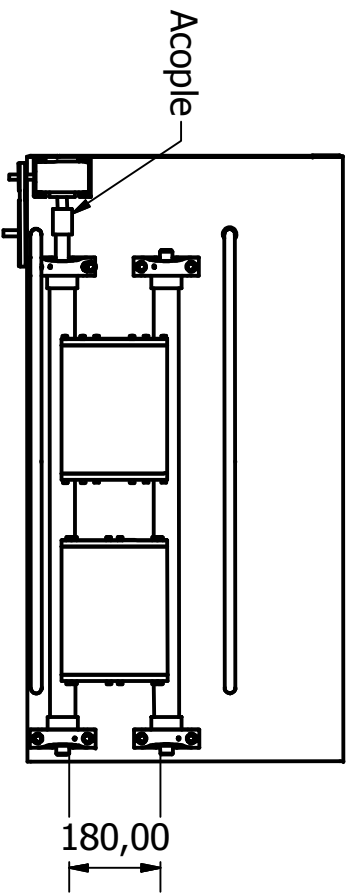
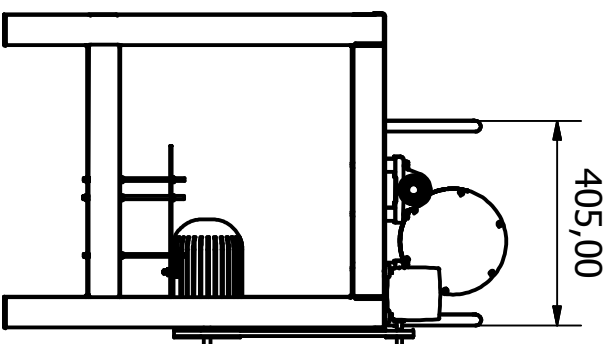
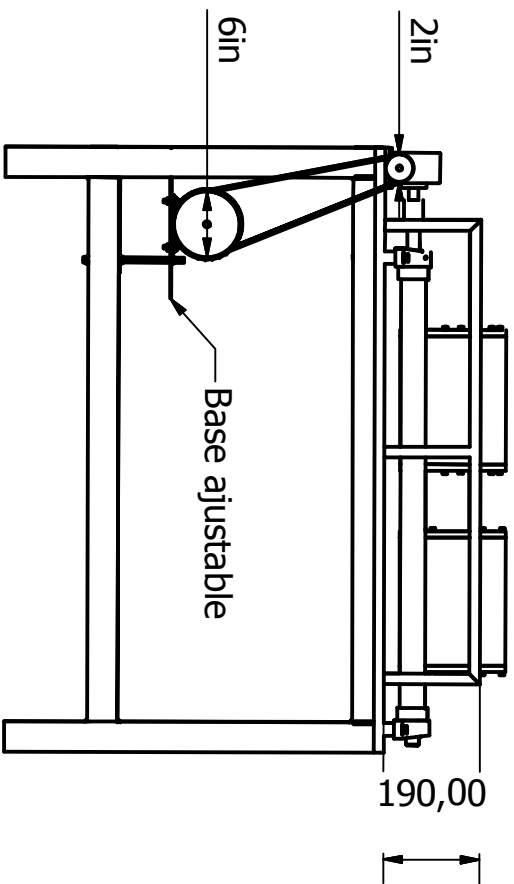
| | | | | |
|----------------------------------|------------|-------------|------|-------------------|
| Designed by Alessandro Tutino | Checked by | Approved by | Date | Date 4/25/2015 |
|----------------------------------|------------|-------------|------|-------------------|

Universidad Central de Venezuela

mesa

estructura planos

| | |
|---------|-------|
| Edition | Sheet |
| | 3 / 3 |



| Designed by | Checked by | Approved by | Date | Date |
|-------------------|------------|-------------|------|-----------|
| Alessandro Tutino | | | | 4/26/2015 |

Universidad Central de Venezuela

Molino de bolsa

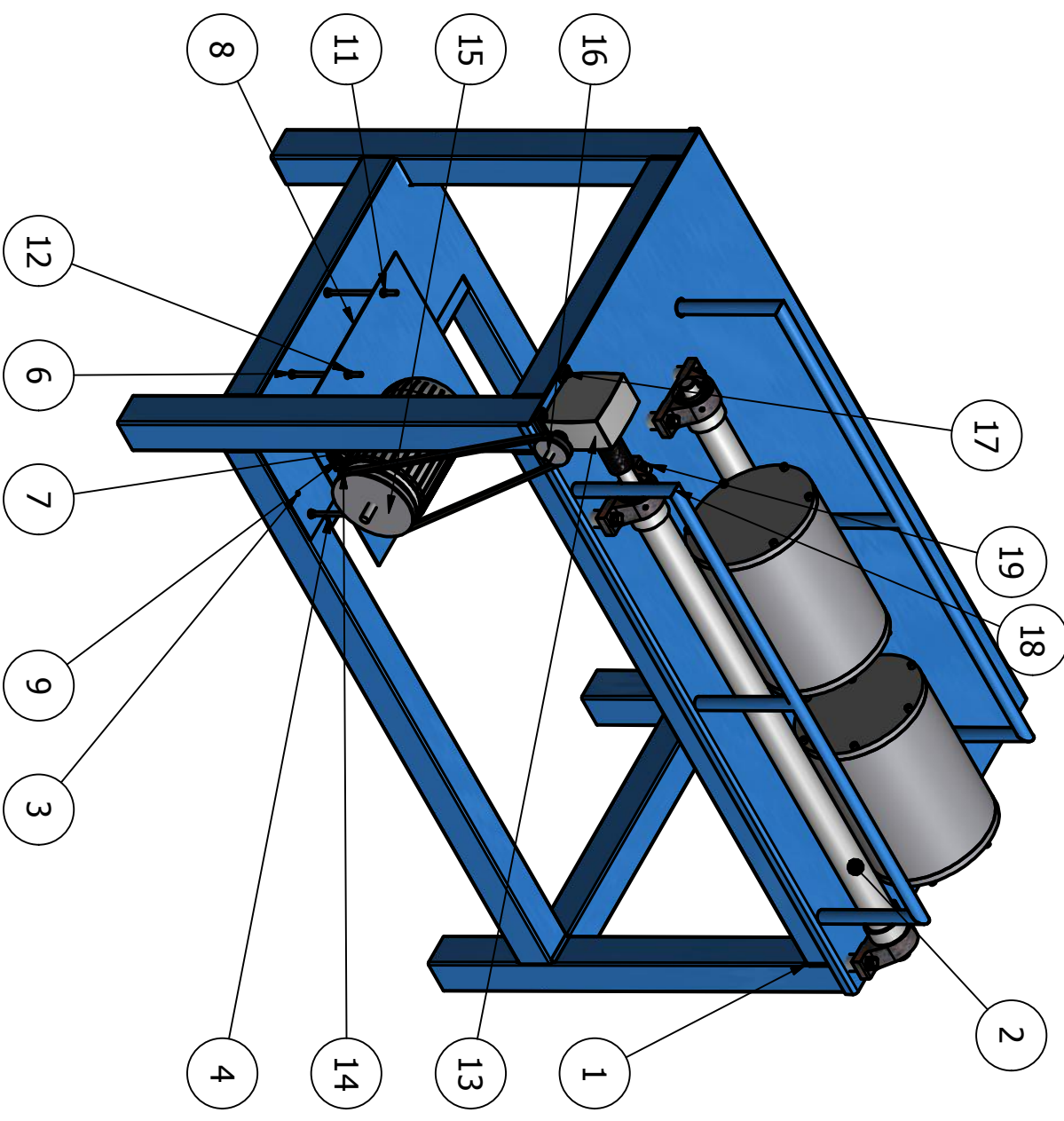
mesa 4 planos

Edition

Sheet
1 / 2

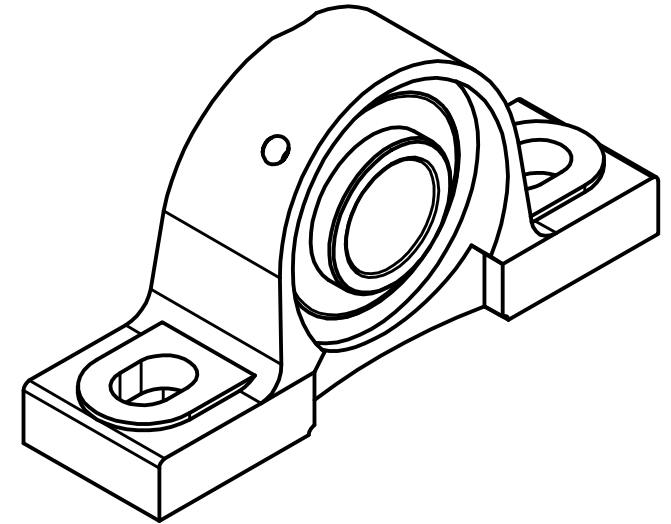
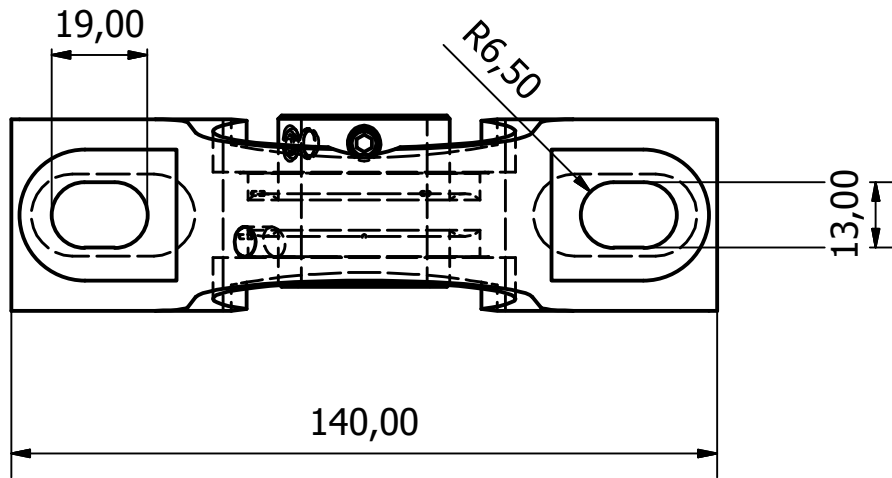
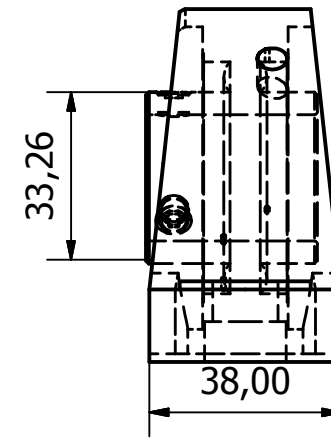
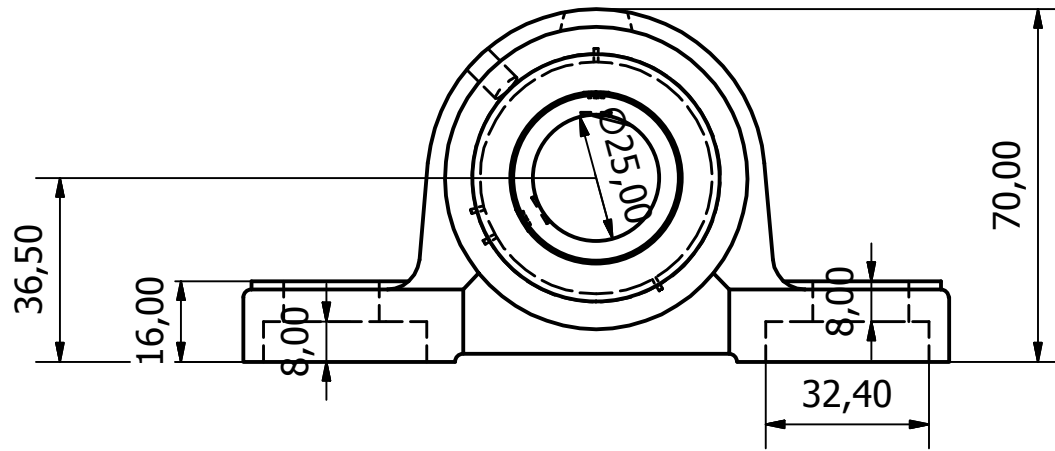
PARTS LIST

| ITEM | QTY | PART NUMBER | DESCRIPTION |
|------|-----|-----------------------------|------------------------------------|
| 1 | 1 | estructura | |
| 2 | 1 | rodillos | |
| 3 | 1 | sopORTE motor | |
| 4 | 4 | esparrago | |
| 5 | 2 | ANSI B18.2.4.2M - M5x0.8 | Metric Hex Nuts Styles 2 |
| 6 | 6 | DIN 6926 - M5 | tuerca haxagonal |
| 7 | 1 | motor | 3/4 hp 3600Rpm |
| 8 | 1 | sopORTE motor 3 | |
| 9 | 4 | M6 x 1x20 | Metric Hex Flange Screws |
| 10 | 4 | ANSI B18.2.4.2M - M6x1 | tuerca |
| 11 | 3 | DIN 6927 - M5 | Hex Nut |
| 12 | 1 | DIN EN 1663 - M5 | Hex Nut |
| 2 | 1 | Reductor | Ratio 30:1 |
| 14 | 1 | V-Belt | 38in |
| 15 | 1 | polea acanalada1 | 6in |
| 16 | 1 | polea anacalada2 | 2in |
| 17 | 4 | tornillo autoroscante | tornillo de cabeza haxagonal |
| 18 | 2 | Barrera | tubo circular |
| 19 | 8 | M10 x 1.5x100 | tornillos |



| | | | |
|----------------------------------|------------|-------------|-------------------|
| Designed by Alessandro Tutino | Checked by | Approved by | Date 4/26/2015 |
|----------------------------------|------------|-------------|-------------------|

| | | | |
|----------------------------------|--|-----------------|----------------|
| Universidad Central de Venezuela | | Molino de bolsa | |
| mesa 4 planos | | Edition | Sheet 2 / 2 |

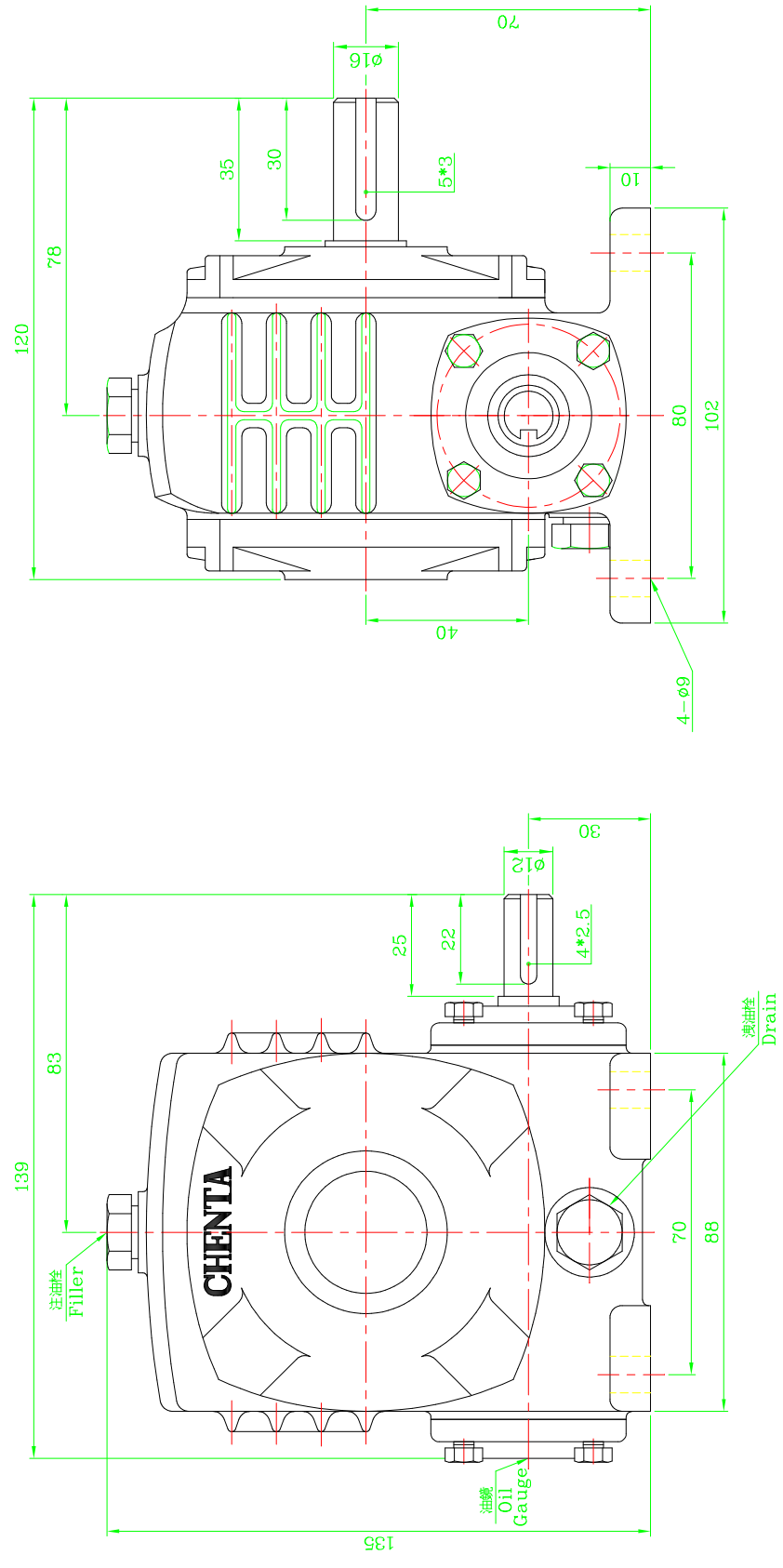


| | | | | | |
|----------------------------------|------------|-------------|-----------------|-------------------|--|
| Designed by Alessandro Tutino | Checked by | Approved by | Date | Date 4/26/2015 | |
| Universidad central de venezuela | | | chumacera p-205 | | |
| p205planos | | | Edition | Sheet 1 / 1 | |

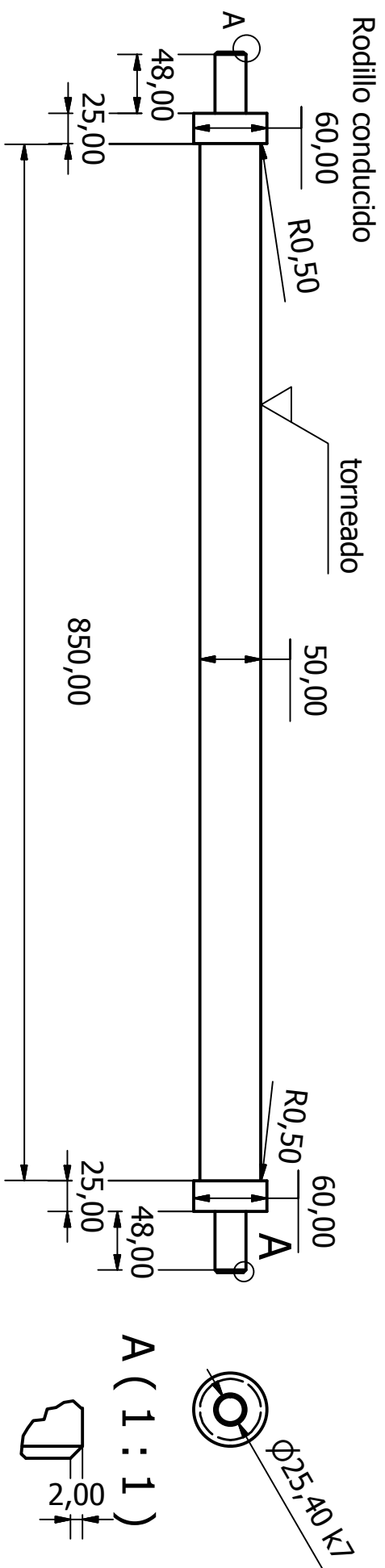
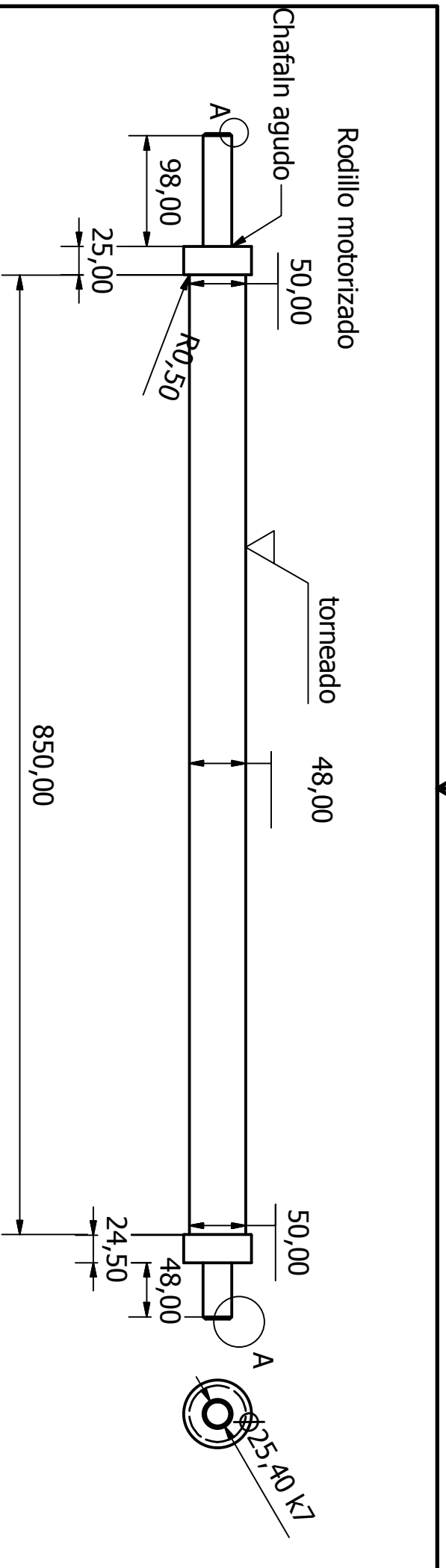
本圖完工後請速歸還

1 2 3 4 5 6 7 8

A B C D E F



| | | | | | | |
|--|----------------|-------|----|------|----|--------------|
| 件號 | 零件編號 | 材質 | 件數 | 粗材尺寸 | 重量 | 備註 |
| 加工一般公差 >0 ±0.1 >6 ±0.3 >30 ±0.5 >120 ±0.8 >315 ±1.0 | 繪圖 設計 審核 | | | | | 成大精機工業股份有限公司 |
| 表面加工精細度 () ▽ 50S ▽ 25S ▽ 12.5S ▽ 6.3S 角度公差 ±0.5 | 日期 | 姓名 | 圖名 | 圖名 | 圖名 | CT-ASS-40 |
| | 以本號代 | | 號 | 號 | 號 | ASS-040 |
| | 比例 | 1:1.8 | ⊕ | | | △ |
| 次序 | 區域 | 標準 | 原 | 來 | 更 | 改 |
| | | | | | | 日期 |
| | | | | | | 負責人 |



| | | | | |
|-------------------|------------|-------------|-----------|------|
| Designed by | Checked by | Approved by | Date | Date |
| Alessandro tutino | | | 4/25/2015 | |

| | | | |
|----------------------------------|--|----------|-------|
| Universidad Central de Venezuela | | Rodillos | |
| rodillos planos | | Edition | Sheet |
| | | 1 / 1 | 1 / 1 |